

# LED VAPOR TIGHT

## MHTL-VT SERIES

Project \_\_\_\_\_  
 Part Number \_\_\_\_\_  
 Quantity \_\_\_\_\_



### FEATURES

- 10-year Warranty
- L70 > 100,000 Hours
- Gray Polycarbonate Housing
- Prismatic Clear Polycarbonate Lens
- Stainless Steel Clips
- Standard Surface Mount
- 4FT or 8FT Length
- IP65 Wet Location Rated
- Corrosion Proof
- TAA/BAA Compliant

### LED/DRIVER

- Universal Input Voltage 120 - 277V
- Optional Input Voltage 347V/480V
- 0-10V Dimming Driver
- CCT 2700K/3000K/4000K/5000K

Model	Input Power	CCT	Lm/W	Lumen	Dimensions
MHTL-VT-4FT-30E-4K-U	30W	4000K	130	3,900	51.6" x 7.3" x 4.3"
MHTL-VT-4FT-40E-4K-U	40W	4000K	130	5,200	51.6" x 7.3" x 4.3"
MHTL-VT-8FT-50E-4K-U	50W	4000K	130	6,500	100.1" x 7.3" x 4.3"
MHTL-VT-8FT-60E-4K-U	60W	4000K	130	7,800	100.1" x 7.3" x 4.3"

### APPLICATIONS

- Parking Garage
- Security Lighting
- Stairwell and Passageway
- Wet Locations



- Power Factor > 0.90 @277V
- THD < 20% @277V
- CRI > 80 - Optional 90 CRI
- 4kV Surge Protection - Optional 20kV



Manufactured in the USA

Toll Free **888-511-7780** • [www.mhtlighting.com](http://www.mhtlighting.com)



# LED VAPOR TIGHT

## MHTL-VT SERIES

Project \_\_\_\_\_

Part Number \_\_\_\_\_

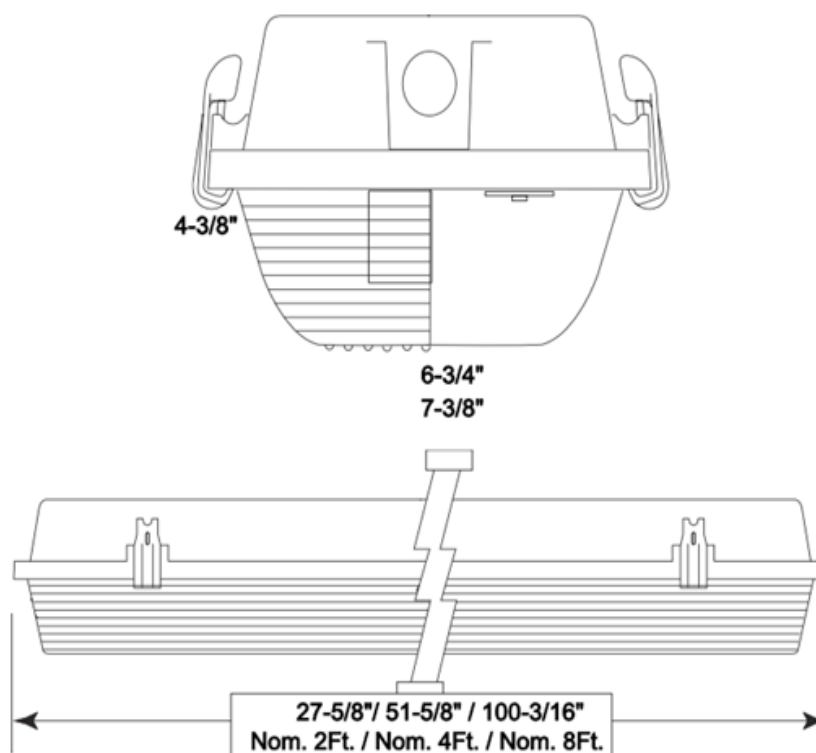
Quantity \_\_\_\_\_

### ORDERING CODES

MHTL-VT	E				
<u>Size &amp; Watt.:</u>	<u>Color Temp.:</u>	<u>Input Voltage:</u>	<u>Mounting:</u>	<u>Option:</u>	
4FT-30	27K=2700K	U=120-277V	SM=Surface Mount	[Standard in Grey. Custom Color Available]	
4FT-40	3K=3000K	347=347V	PM=Pendant Mount	EM=Emergency Battery Backup	
8FT-50	4K=4000K	480=480V		SPD=20kV Surge Protective Device	
8FT-60	5K=5000K			90CRI=90 CRI	

\*MHTL-VT-4FT-40E-5K is DLC Listed Product

### DIMENSIONS



- MHT Products are UL Listed and Assembled in ISO9000/1 Certified US Facility
- MHT Lighting Offers a 10-year Warranty (See Warranty Terms and Conditions)
- Every Product is Quality Tested and Inspected Prior to Shipment
- Proudly Manufactured in the USA
- For Product IES Files Please Contact Your Local Reps

#### MHT Plant Operations

1961 Richmond Terrace  
Staten Island, New York 10302  
Tel: (718) 524-4370  
Fax: (718) 524-4390

#### West Coast Operations

2285 Michael Faraday Dr. Suite 10  
San Diego, California 92154  
Tel: (619) 661-0600

[www.mhtlighting.com](http://www.mhtlighting.com)

**888-511-7780**

MHT Confidential  
Rev Date: March 2019