

LED POST TOP LIGHTING

MHTL-POL SERIES

Project _____

Part Number _____

Quantity _____



APPLICATIONS

- City Street
- Parks
- Public Areas



FEATURES

- >100,000 Hours Rated Lifespan
- 10-year Warranty
- L70 > 100,000 Hours
- Die Cast Aluminum Housing (Black)
- Electronic Driver in the Fitter
- Flat Tempered Glass Lens - Full Cut Off
- High Performance Acrylic Optical Lenses - Type III, IV & V
- Fixture Protection Class IP65
- Optional Photocontrol on Top - Easy Replacement
- Meets DLC V4.2 Standards
- TAA/BAA Compliant



LED/DRIVER

- Universal Input Voltage 120 - 277V
- Power Factor > 0.95 @277V
- THD < 15% @277V; CRI > 75
- CCT 3000K/3500K/4000K/5000K
- 0-10V Dimming Driver
- 6kV Surge Protection

Model	Input Power	CCT	Distribution	Lumen	EPA at 0° (ft²)
MHTL-POL-36E-4K-U-T5	36W	4000K	Type V	4,000	1.6
MHTL-POL-72E-4K-U-T5	72W	4000K	Type V	8,000	1.6
MHTL-POL-102E-4K-U-T5	102W	4000K	Type V	11,000	1.6



Manufactured in the USA

Toll Free **888-511-7780** • www.mhtlighting.com



LED POST TOP LIGHTING

MHTL-POL SERIES

Project _____

Part Number _____

Quantity _____

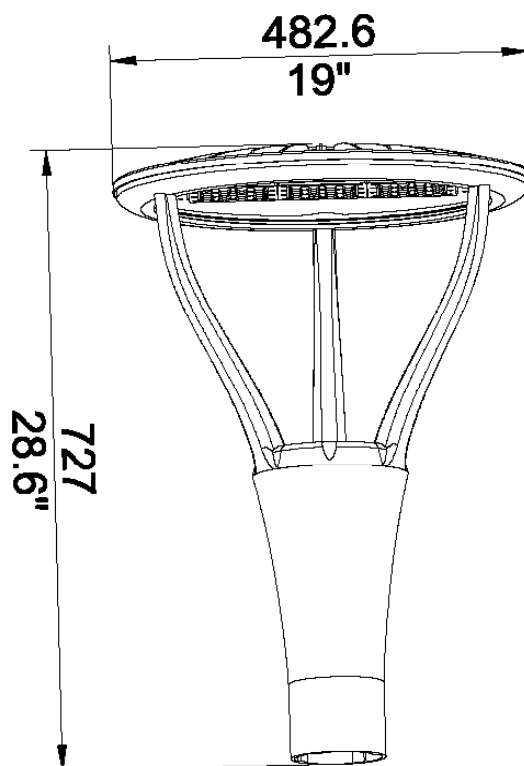
ORDERING CODES

MHTL-POL	<u> </u> E	<u> </u>	<u> </u>	<u> </u>	<u> </u>	<u> </u>
----------	---------------	-------------	-------------	-------------	-------------	-------------

<u>Wattage:</u>	<u>Color Temp:</u>	<u>Input Voltage:</u>	<u>Distribution:</u>	<u>Pole Size:</u>
36, 48	3K=3000K	U=120-277V	T3=Type III	3=O.D. 3"
62, 72,	35K=3500K	347=347V	T4=Type IV	3.5=O.D. 3.5"
92, 102	4K=4000K	480=480V	T5=Type V	
	5K=5000K			

Option:
 (Standard in Black. Custom Color is Available Upon Request.)
 PR3=3-pin Photocell Receptacle
 PR7=7-pin Photocell Receptacle
 PC3=3-pin Photocell
 PC7=7-pin Photocell
 SPD=20kV Surge Protective Device

DIMENSIONS



- MHT Products are ETL Listed and Assembled in ISO9000/1 Certified US Facility
- MHT Lighting Offers a 10-year Warranty (See Warranty Terms and Conditions)
- Every Product is Quality Tested and Inspected Prior to Shipment
- Proudly Manufactured in the USA
- For Product IES Files Please Contact Your Local Reps

MHT Plant Operations

1961 Richmond Terrace
 Staten Island, New York 10302
 Tel: (718) 524-4370
 Fax: (718) 524-4390

West Coast Operations

2285 Michael Faraday Dr. Suite 10
 San Diego, California 92154
 Tel: (619) 661-0600

www.mhtlighting.com

888-511-7780

MHT Confidential
 Rev Date: May 2019