

LED WALLPACK/FLOOD

MHTL-WF SERIES

Project _____

Part Number _____

Quantity _____



APPLICATIONS

- Building Exterior
- Parking Garage
- Security Lighting
- Walkway



FEATURES

- >100,000 Hours Rated Lifespan
- 10-year Warranty
- L90 > 60,000 Hours
- Die Cast Aluminum Housing (Brown)
- Flat Clear Tempered Glass Lens
- Fixture Protection Class IP65
- Full Cutoff – Dark Sky Compliant
- Standard Wall/Ceiling Surface Mount
- Optional Extruded Arm, Swivel, Slip Fitter or Knuckle Mount
- Available Integrated Emergency Battery Backup (60W/85W)
- TAA/BAA Compliant



LED/DRIVER

- Universal Input Voltage 120 - 277V
- Optional Input Voltage 347V/480V
- Power Factor > 0.99; THD < 10%
- CRI > 80
- 0-10V Dimming; 6kV Surge Protection
- CCT 3000K/3500K/4000K/5000K

Model	Input Power	CCT	Lm/W	Lumen	Dimensions	EPA at 0° (ft²)
MHTL-WF-15E-5K-U	15W	5000K	102	1,400	8.3" x 6.9" x 4.6"	0.41
MHTL-WF-30E-5K-U	30W	5000K	113	3,300	8.3" x 6.9" x 4.6"	0.41
MHTL-WF-45E-5K-U	45W	5000K	115	5,100	8.3" x 6.9" x 4.6"	0.41
MHTL-WF-60E-5K-U	60W	5000K	110	6,500	11" x 9" x 5.75"	0.69
MHTL-WF-85E-5K-U	85W	5000K	105	8,900	11" x 9" x 5.75"	0.69



Manufactured in the USA

Toll Free **888-511-7780** • www.mhtlighting.com



LED WALLPACK/FLOOD

MHTL-WF SERIES

Project _____

Part Number _____

Quantity _____

ORDERING CODES

MHTL-WF	E				
---------	---	--	--	--	--

Wattage:

15, 30,
45, 60,
85

Color Temp:

3K=3000K
35K=3500K
4K=4000K
5K=5000K

Input Voltage:

U=120-277V
347=347V
480=480V

Mounting:

SW=Swivel Mount
KM=Knuckle Mount
SF=Slip Fitter
EA6/EA10=6"/10" Arm
(Square Pole)

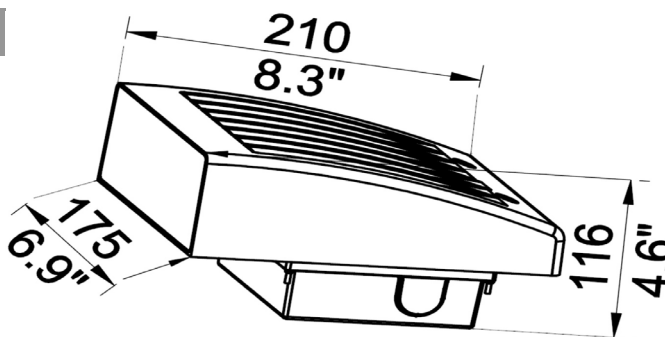
Option:

(Standard in Brown)
PC=Button Type Photocell (60/85W)
VISOR=Glare Shield (Blocks Uplight)
EM=Emergency Backup (60/85W)
SPD=20kV Surge Protective Device
OS-On/Off=On/Off Motion Sensor
OS-Dim=Dimming Motion Sensor

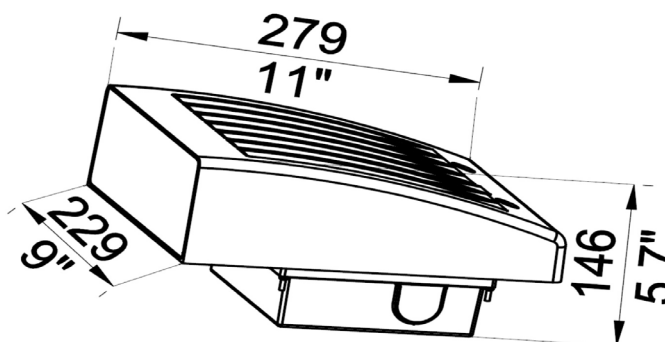
MHTL-WF-15E-5K-U, MHTL-WF-30E-4K-U
MHTL-WF-60E-4K-U, MHTL-WF-85E-4K-U
are DLC Listed Product

DIMENSIONS

15W & 30W & 45W



60W & 85W



- 15W, 30W and 45W Mounting Bolt Patterns: 3 1/4" X 3 1/4"; Hole Size: 1/4"
- 60W and 85W Mounting Bolt Patterns: 4 13/16" X 4 13/16"; Hole Size: 1/4"

- MHT Products are ETL Listed and Assembled in ISO9000/1 Certified US Facility
- MHT Lighting Offers a 10-year Warranty (See Warranty Terms and Conditions)
- Every Product is Quality Tested and Inspected Prior to Shipment
- Proudly Manufactured in the USA
- For Product IES Files Please Contact Your Local Reps

MHT Plant Operations

1961 Richmond Terrace
Staten Island, New York 10302
Tel: (718) 524-4370
Fax: (718) 524-4390

West Coast Operations

2285 Michael Faraday Dr. Suite 10
San Diego, California 92154
Tel: (619) 661-0600

www.mhtlighting.com