

LED SURFACE MOUNT TROFFER

MHTL-SMTR SERIES

Project _____
 Part Number _____
 Quantity _____



APPLICATIONS

- Conference/Meeting Room
- Commercial Building
- Healthcare
- Office and School

FEATURES

- 10-year Warranty
- >100,000 Hours Rated Lifespan; L70 > 100,000 Hours
- 0.8mm Die-form Steel Housing (White)
- Frosted Prismatic Acrylic Lens - Low Glare & Even Light
- Hinged Doorframe For Easy Installation and Maintenance
- Highly Reflective White Coating to Maximize Efficiency
- Standard Ceiling Surface Mount
- 1/2" Knock-outs on Top
- TAA/BAA Compliant



LED/DRIVER

- Universal Input Voltage 120 - 277V
- Optional Input Voltage 347V/480V
- Power Factor > 0.90 @277V
- THD < 20% @277V
- Standard 4kV Surge Protection - Optional 20kV
- 0-10V Dimmable Driver
- CRI > 80 - Optional 90 CRI
- Color Temperature 3500K/4000K/5000K

Model	Input Power	Lm/W	Lumen	Dimensions
MHTL-SMTR-2X2-40E-35K-U	40W	120	4,800	23.75" x 23.75" x 4"
MHTL-SMTR-2X4-50E-35K-U	50W	125	6,200	23.75" x 47.75" x 4"
MHTL-SMTR-2X4-60E-35K-U	60W	125	7,500	23.75" x 47.75" x 4"



Manufactured in the USA

Toll Free **888-511-7780** • www.mhtlighting.com



LED SURFACE MOUNT TROFFER

MHTL-SMTR SERIES

Project _____

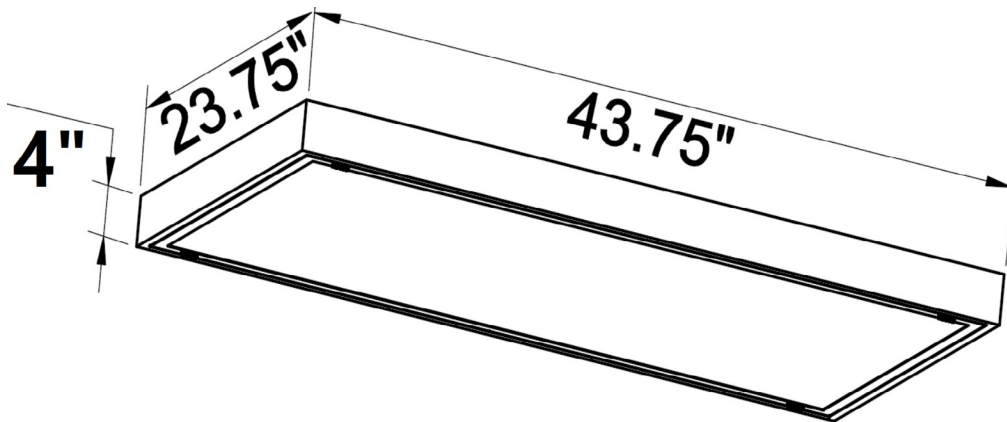
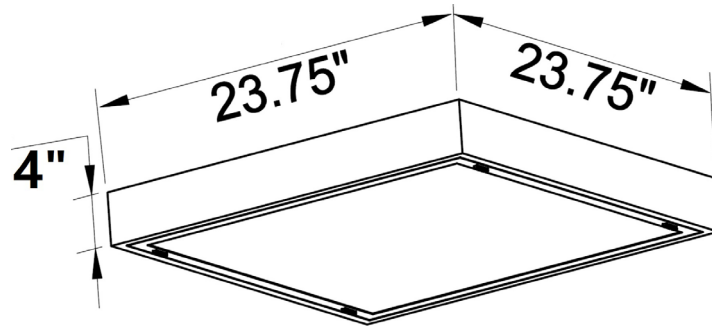
Part Number _____

Quantity _____

ORDERING CODES

MHTL-SMTR				
<u>Wattage:</u>	<u>Color Temperature:</u>	<u>Input Voltage:</u>	<u>Option:</u>	
2X2-40E	35K=3500K	U=120-277V	(Standard in White)	
2X4-50E	4K=4000K	347=347V	SPD=20kV Surge Protective Device	
2X4-60E	5K=5000K	480=480V	90CRI=90 CRI	
			EM=Emergency Battery Backup	

DIMENSIONS



- MHT Products are ETL Listed and Assembled in ISO9000/1 Certified US Facility
- MHT Lighting Offers a 10-year Warranty (See Warranty Terms and Conditions)
- Every Product is Quality Tested and Inspected Prior to Shipment
- Proudly Manufactured in the USA
- For Product IES Files Please Contact Your Local Reps

MHT Plant Operations

1961 Richmond Terrace
Staten Island, New York 10302
Tel: (718) 524-4370
Fax: (718) 524-4390

West Coast Operations

2285 Michael Faraday Dr. Suite 10
San Diego, California 92154
Tel: (619) 661-0600

www.mhtlighting.com

888-511-7780

MHT Confidential
Rev Date: November 2018