

# LED TROFFER

## MHTL-VOLS SERIES

Project \_\_\_\_\_

Part Number \_\_\_\_\_

Quantity \_\_\_\_\_



### APPLICATIONS

- Education and Retail
- Healthcare
- Office



### FEATURES

- >100,000 Hours Rated Lifespan
- 10-year Warranty; L70 > 100,000 Hours
- 0.8mm Die-form Steel Housing (White)
- Frosted Finished Polycarbonate Lens - Low Glare
- Highly Reflective White Coating
- Standard Ceiling Grid Mount
- Optional Emergency Battery Backup
- TAA/BAA Compliant



### LED/DRIVER

- Universal Input Voltage 120 - 277V
- Optional Input Voltage 347V/480V
- Power Factor > 0.90 @277V
- THD < 20% @277V
- Standard 4kV Surge Protection - Optional 20kV
- 0-10V Dimming Driver
- CRI > 80 - Optional 90 CRI
- Color Temperature 3500K/4000K/5000K

Model	Input Power	Lumen	Dimensions	DLC Status
MHTL-VOLS-2X2-24E	24W	3,000	23.78" x 23.74" x 4.17"	N/A
MHTL-VOLS-2X2-36E	36W	4,500	23.78" x 23.74" x 4.17"	N/A
MHTL-VOLS-2X2-40E	40W	5,000	23.78" x 23.74" x 4.17"	DLC in 3500K
MHTL-VOLS-2X4-36E	36W	4,600	23.78" x 47.72" x 4.17"	DLC in 3500/4000/5000K
MHTL-VOLS-2X4-40E	40W	5,200	23.78" x 47.72" x 4.17"	N/A
MHTL-VOLS-2X4-50E	50W	6,500	23.78" x 47.72" x 4.17"	DLC in 4000K



Manufactured in the USA

Toll Free **888-511-7780** • [www.mhtlighting.com](http://www.mhtlighting.com)



# LED TROFFER

## MHTL-VOLS SERIES

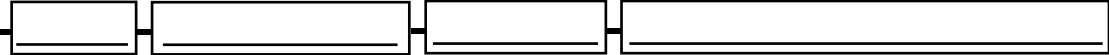
Project \_\_\_\_\_

Part Number \_\_\_\_\_

Quantity \_\_\_\_\_

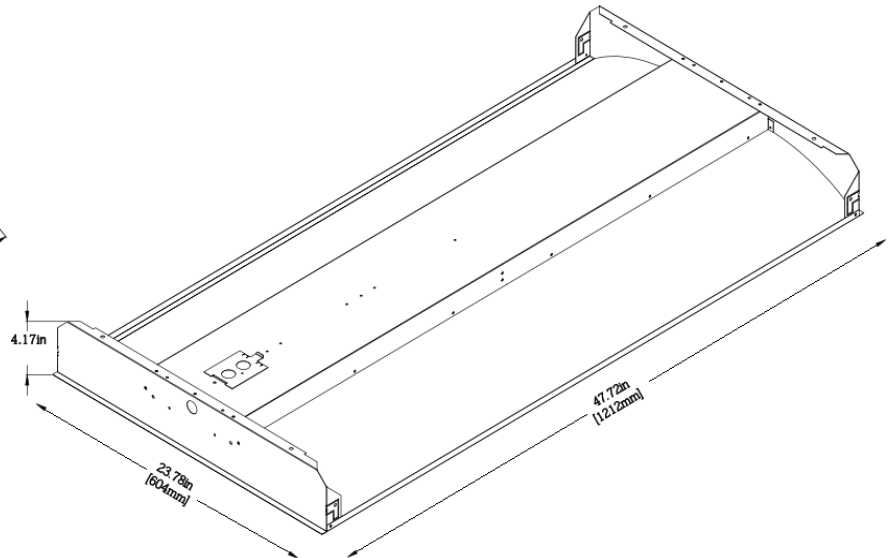
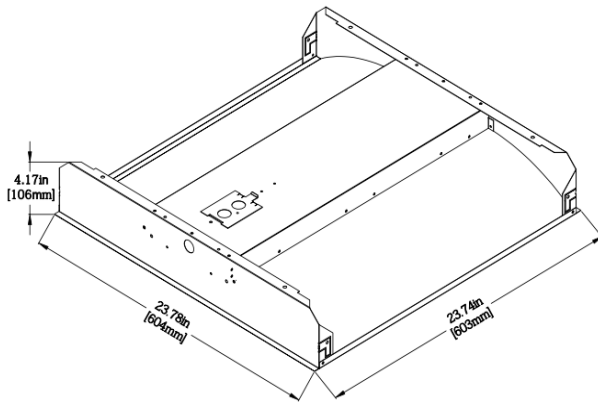
### ORDERING CODES

MHTL-VOLS



Wattage:	Color Temperature:	Input Voltage:	Option:
2X2-24E	35K=3500K	U=120-277V	(Standard in White)
2X2-36E	4K=4000K	347=347V	EB=Emergency Battery Backup
2X2-40E	5K=5000K	480=480V	SPD=20kV Surge Protective Device
2X4-36E			FC=Fixture Control (Lutron FCJ-010)
2X4-40E			90CRI=90 CRI
2X4-50E			

### DIMENSIONS



- MHT Products are ETL Listed and Assembled in ISO9000/1 Certified US Facility
- MHT Lighting Offers a 10-year Warranty (See Warranty Terms and Conditions)
- Every Product is Quality Tested and Inspected Prior to Shipment
- Proudly Manufactured in the USA
- For Product IES Files Please Contact Your Local Reps

#### MHT Plant Operations

1961 Richmond Terrace  
Staten Island, New York 10302  
Tel: (718) 524-4370  
Fax: (718) 524-4390

#### West Coast Operations

2285 Michael Faraday Dr. Suite 10  
San Diego, California 92154  
Tel: (619) 661-0600

[www.mhtlighting.com](http://www.mhtlighting.com)

**888-511-7780**

MHT Confidential  
Rev Date: November 2018