

LED SEMI-CUTOFF WALLPACK

MHTL-SWP SERIES

Project _____

Part Number _____

Quantity _____



APPLICATIONS

- Building Exterior
- Parking Garage
- Railway Platform
- Security Lighting
- Tunnel
- Walkway



FEATURES

- >100,000 Hours Rated Lifespan
- 10-year Warranty
- L70 > 100,000 Hours
- Die Cast Aluminum Housing (Bronze)
- Borosilicate Glass Lens - Glare Free
- Available Standard Receptacle and Photocell
- Fixture Protection Class IP54
- TAA/BAA Compliant



LED/DRIVER

- Universal Input Voltage 120 - 277V
- Optional Input Voltage 347V/480V
- Power Factor > 0.95 @277V
- THD < 15% @277V
- 0-10V Dimming Driver
- CCT 3000K/4000K/5000K
- CRI > 75
- 6kV Surge Protection - Optional 20kV

| Model | Input Power | Lumen | CCT | Dimensions |
|-------------------|-------------|--------|-------|---------------------|
| MHTL-SWP-38E-4K-U | 38W | >4,000 | 4000K | 16.9" x 13" x 10.6" |
| MHTL-SWP-76E-4K-U | 76W | >8,200 | 4000K | 16.9" x 13" x 10.6" |



Manufactured in the USA

Toll Free **888-511-7780** • www.mhtlighting.com



LED SEMI-CUTOFF WALLPACK

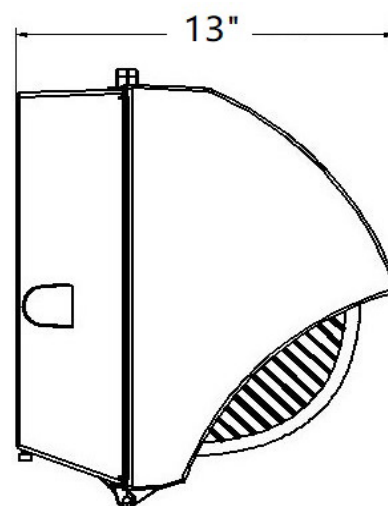
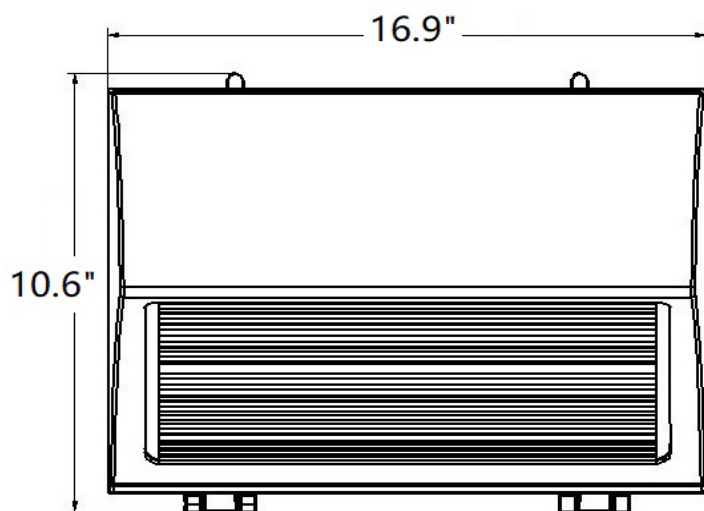
MHTL-SWP SERIES

Project _____
 Part Number _____
 Quantity _____

ORDERING CODES

| | | | | | |
|----------|----------------------|----------------------------------|------------------------------------|---|----------------------|
| MHTL-SWP | <input type="text"/> | E | <input type="text"/> | <input type="text"/> | <input type="text"/> |
| | <u>Wattage:</u> | <u>Color Temperature:</u> | <u>Input Voltage:</u> | <u>Option:</u> | |
| | 38, 76 | 3K=3000K 4K=4000K 5K=5000K | U=120-277V 347=347V 480=480V | (Standard in Dark Bronze) PR3=3-pin Photocell Receptacle PR7=7-pin Photocell Receptacle PC3=3-pin Photocell PC7=7-pin Photocell SPD=20kV Surge Protective Device | |

DIMENSIONS



- MHT Products are ETL Listed and Assembled in ISO9000/1 Certified US Facility
- MHT Lighting Offers a 10-year Warranty (See Warranty Terms and Conditions)
- Every Product is Quality Tested and Inspected Prior to Shipment
- Proudly Manufactured in the USA
- For Product IES Files Please Contact Your Local Reps

MHT Plant Operations
 1961 Richmond Terrace
 Staten Island, New York 10302
 Tel: (718) 524-4370
 Fax: (718) 524-4390

West Coast Operations
 2285 Michael Faraday Dr. Suite 10
 San Diego, California 92154
 Tel: (619) 661-0600

www.mhtlighting.com
888-511-7780

MHT Confidential
 Rev Date: May 2018