

# LED ROUND GARAGE MHTL-RGL SERIES

Project \_\_\_\_\_

Part Number \_\_\_\_\_

Quantity \_\_\_\_\_



## APPLICATIONS

- Canopy
- Parking Garage
- Manufacturing/Warehouse
- Walkway

## FEATURES

- >100,000 Hours Rated Lifespan
- 10-year Warranty
- L90 > 180,000 Hours (38W & 48W)
- L90 > 75,000 Hours (72W)
- Die Cast Aluminum Housing (Matte White)
- High Performance Acrylic Optical Lens
- Surface Mount Bracket - Easy Installation & Maintenance
- Optional Frosted Finished PC Concave Lens - Glare Free
- Fixture Protection Class IP65
- Available Integrated Motion Sensor - See "Smart" Series
- TAA/BAA Compliant



## LED/DRIVER

- Universal Input Voltage 120 - 277V
- Optional Input Voltage 347V/480V
- Power Factor > 0.93 @277V
- THD < 12% @277V
- CCT 3000K/3500K/4000K/5000K
- 0-10V Dimming Driver
- CRI > 75
- 6kV Surge Protection

Model	Input Power	Module	Lm/W	Lumen	Dimensions
MHTL-RGL-38E-4K-U	38W	1	>113	>3,900	Ø15" x 5.4"
MHTL-RGL-48E-4K-U	48W	2	>120	>5,500	
MHTL-RGL-50E-4K-U	50W	1	>102	>4,900	
MHTL-RGL-72E-4K-U	72W	2	>126	>9,000	



Manufactured in the USA

Toll Free **888-511-7780** • [www.mhtlighting.com](http://www.mhtlighting.com)



# LED ROUND GARAGE MHTL-RGL SERIES

Project \_\_\_\_\_

Part Number \_\_\_\_\_

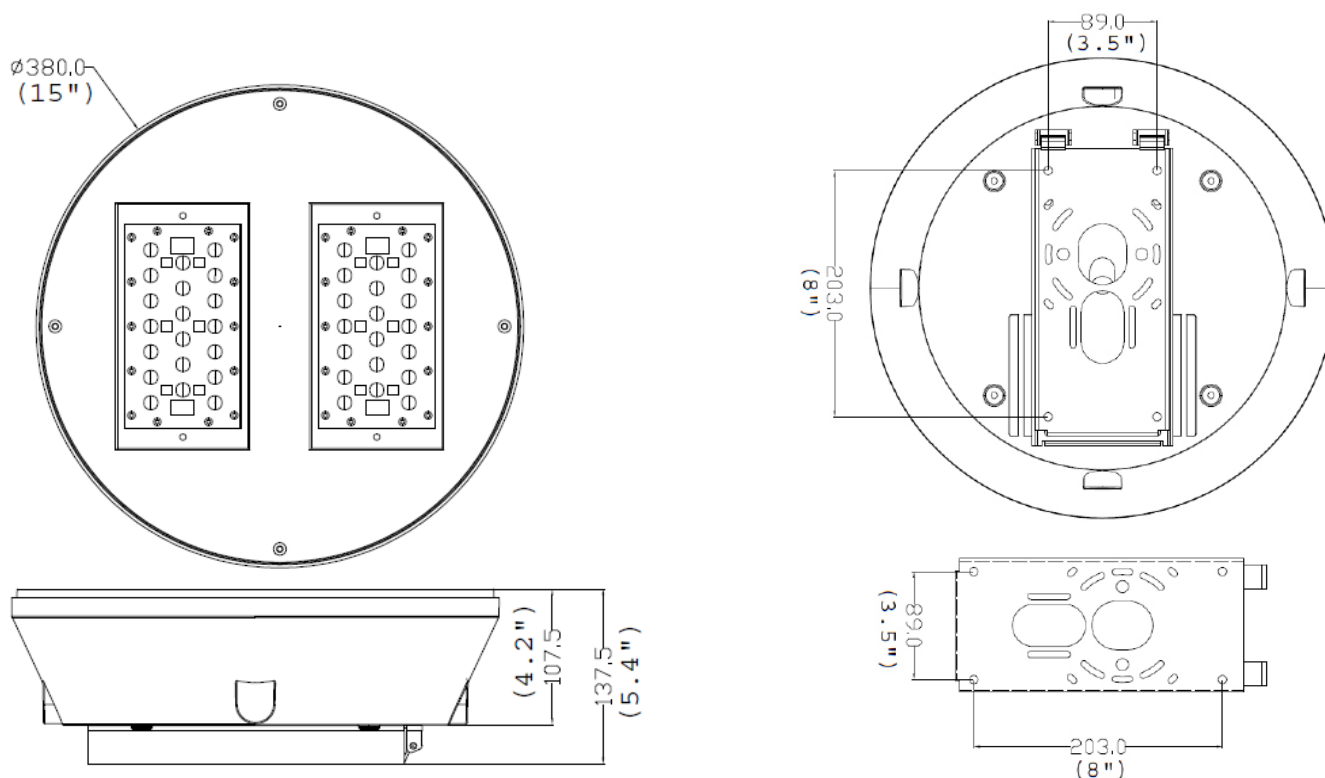
Quantity \_\_\_\_\_

## ORDERING CODES

MHTL-RGL  E

<u>Wattage:</u> 38, 48, 50, 72	<u>Color Temp:</u> 3K=3000K 35K=3500K 4K=4000K 5K=5000K	<u>Input Voltage:</u> U=120-277V 347=347V 480=480V	<u>Mounting:</u> PM=Pendant Mount (Standard 3/4") HM=Hook Mount	<u>Option</u> (Standard in Matte White) CL=Concave Frosted PC Lens SPD=20kV Surge Protective Device OS-On/Off=On/Off Motion Sensor OS-Dim=Dimming Motion Sensor (See "Smart" Series for Details)
--------------------------------------	---	---	--	--

## DIMENSIONS



- Standard with Surface Mount Bracket or 3/4" Pendant
- Standard 1ft. Cord From the Top Side
- Surface Mount Bracket Bolt Patterns: 8" X 3 1/2"; Hole Size: 1/4"

- MHT Products are ETL Listed and Assembled in ISO9000/1 Certified US Facility
- MHT Lighting Offers a 10-year Warranty (See Warranty Terms and Conditions)
- Every Product is Quality Tested and Inspected Prior to Shipment
- Proudly Manufactured in the USA
- For Product IES Files Please Contact Your Local Reps

### MHT Plant Operations

1961 Richmond Terrace  
Staten Island, New York 10302  
Tel: (718) 524-4370  
Fax: (718) 524-4390

### West Coast Operations

2285 Michael Faraday Dr. Suite 10  
San Diego, California 92154  
Tel: (619) 661-0600

[www.mhtlighting.com](http://www.mhtlighting.com)

**888-511-7780**

MHT Confidential  
Rev Date: May 2018