

LED RECESSED CEILING TROFFER

MHTL-RCTR SERIES

Project _____
 Part Number _____
 Quantity _____



APPLICATIONS

- Conference/Meeting Room
- Commercial Building
- Healthcare
- Office and School

FEATURES

- 10-year Warranty
- >100,000 Hours Rated Lifespan; L70 > 100,000 Hours
- 0.8mm Die-form Steel Housing (White)
- Frosted Prismatic Acrylic Lens - Low Glare & Even Light
- Hinged Doorframe For Easy Installation and Maintenance
- Highly Reflective White Coating to Maximize Efficiency
- Standard Ceiling Grid Mount
- 1/2" Knock-outs on the Sides
- Optional Emergency Battery Backup
- TAA/BAA Compliant



LED/DRIVER

- Universal Input Voltage 120 - 277V
- Optional Input Voltage 347V/480V
- Power Factor > 0.90 @277V
- THD < 20% @277V
- Standard 4kV Surge Protection - Optional 20kV
- 0-10V Dimmable Driver
- CRI > 80 - Optional 90 CRI
- Color Temperature 3500K/4000K/5000K

Model	Input Power	Lm/W	Lumen	Dimensions
MHTL-RCTR-2X2-24E-4K-U	24W	108	2,600	23.86" x 23.8" x 3.35"
MHTL-RCTR-2X2-36E-4K-U	36W	108	3,900	23.86" x 23.8" x 3.35"
MHTL-RCTR-2X4-40E-4K-U	40W	110	4,400	23.86" x 47.8" x 3.35"
MHTL-RCTR-2X4-50E-4K-U	50W	110	5,500	23.86" x 47.8" x 3.35"



Manufactured in the USA

Toll Free **888-511-7780** • www.mhtlighting.com



LED RECESSED CEILING TROFFER

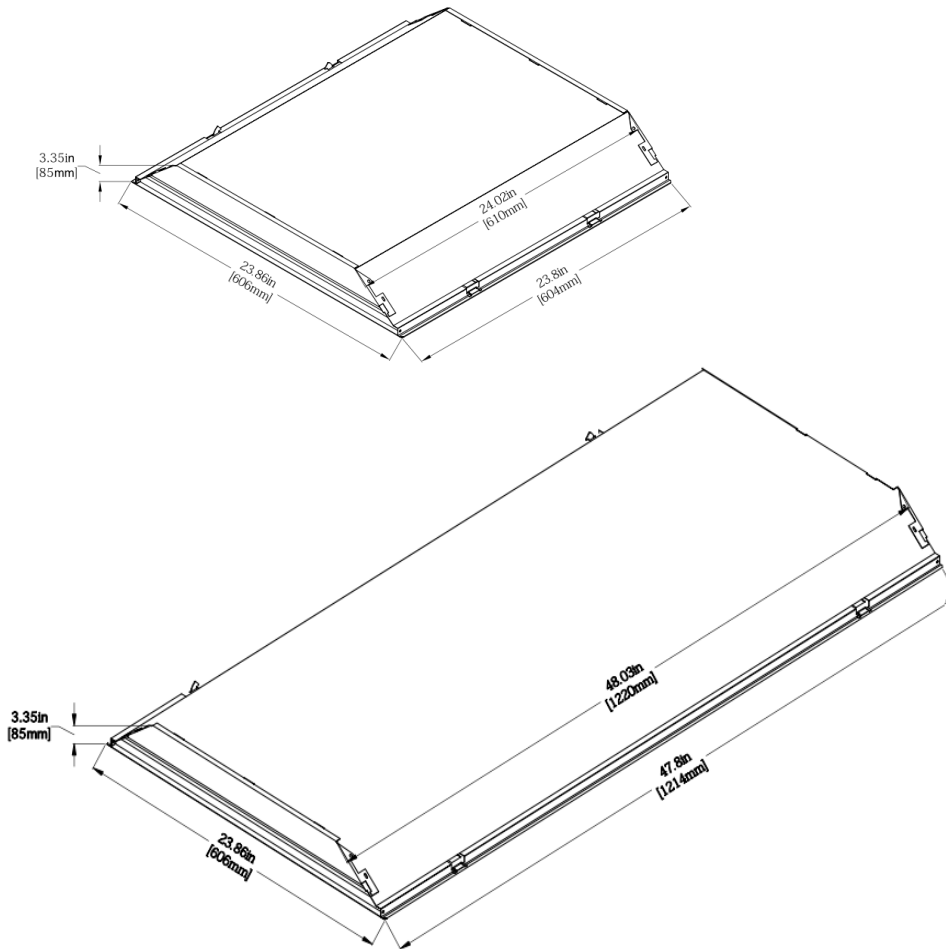
MHTL-RCTR SERIES

Project _____
 Part Number _____
 Quantity _____

ORDERING CODES

MHTL-RCTR	_____	_____	_____	_____
<u>Wattage:</u>	<u>Color Temperature:</u>	<u>Input Voltage:</u>	<u>Option:</u>	
2X2-24E	35K=3500K	U=120-277V	(Standard in White)	
2X2-36E	4K=4000K	347=347V	EB=Emergency Battery Backup	
2X4-40E	5K=5000K	480=480V	90CRI=90 CRI	
2X4-50E			FC=Fixture Control (Lutron FCJ-010)	
			SPD=20kV Surge Protective Device	

DIMENSIONS



- MHT Products are UL Listed and Assembled in ISO9000/1 Certified US Facility
- MHT Lighting Offers a 10-year Warranty (See Warranty Terms and Conditions)
- Every Product is Quality Tested and Inspected Prior to Shipment
- Proudly Manufactured in the USA
- For Product IES Files Please Contact Your Local Reps

MHT Plant Operations
 1961 Richmond Terrace
 Staten Island, New York 10302
 Tel: (718) 524-4370
 Fax: (718) 524-4390

West Coast Operations
 2285 Michael Faraday Dr. Suite 10
 San Diego, California 92154
 Tel: (619) 661-0600

www.mhtlighting.com
888-511-7780

MHT Confidential
 Rev Date: November 2018