

LED WALLPACK

MHTL-LWP SERIES

Project _____

Part Number _____

Quantity _____



FEATURES

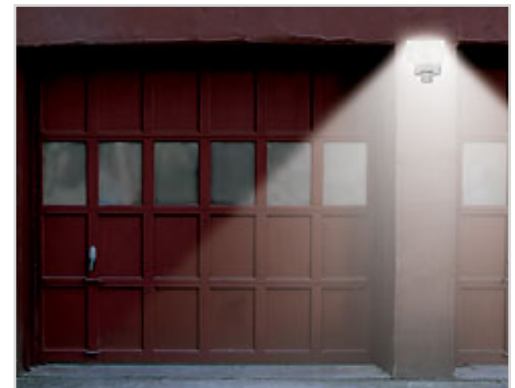
- >100,000 Hours Rated Lifespan
- 10-year Warranty
- L70 > 100,000 Hours
- Compact Lightweight Design
- Die Cast Aluminum Bottom Housing
- Polycarbonate Cover/Diffuser
- Wall Surface Mount
- 140 Degree Forward Throw Distribution
- Optional Integrated Button Type Photocell Control
- TAA/BAA Compliant

LED/DRIVER

- Universal Input Voltage 120 - 277V
- Optional Input Voltage 347V/480V
- Power Factor > 0.95 @277V
- THD < 15% @277V

APPLICATIONS

- ATM
- Building Exterior
- Garage
- Security Lighting
- Walkway



- CRI > 80
- 0-10V Dimming Driver
- Color Temperature 4000K/5000K
- 4kV Surge Protection



Manufactured in the USA

Toll Free **888-511-7780** • www.mhtlighting.com



LED WALLPACK

MHTL-LWP SERIES

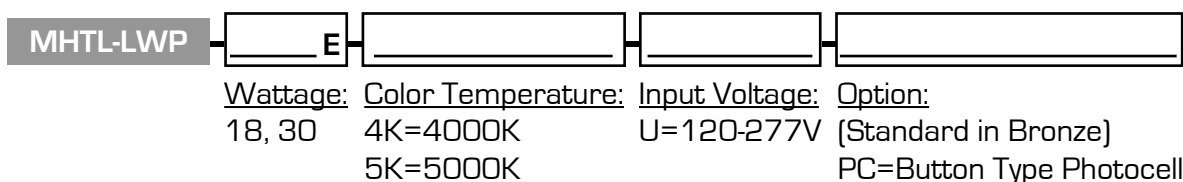
Project _____

Part Number _____

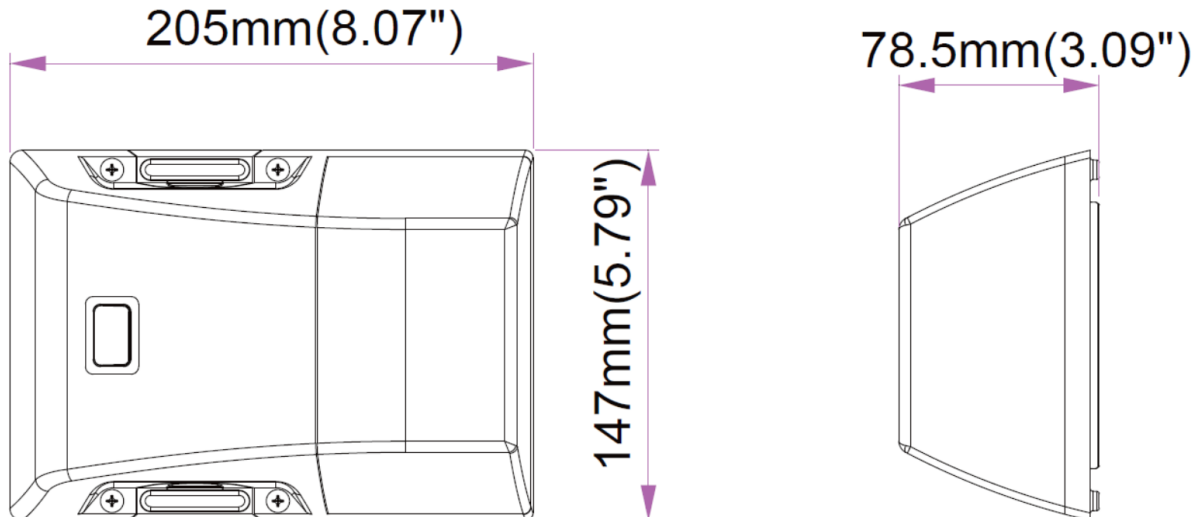
Quantity _____

Model	Input Power	Lm/W	Lumen	Dimensions
MHTL-LWP-18E	18W	110	2,000	8.07" x 5.79" x 3.09"
MHTL-LWP-30E	30W	110	3,300	8.07" x 5.79" x 3.09"

ORDERING CODES



DIMENSIONS



- Power Cord or Leads is Not Included

- MHT Products are UL or ETL Listed and Assembled in ISO9000/1 Certified US Facility
- MHT Lighting Offers a 10-year Warranty (See Warranty Terms and Conditions)
- Every Product is Quality Tested and Inspected Prior to Shipment
- For Product IES Files Please Contact Your Local Reps

MHT Plant Operations

1961 Richmond Terrace
 Staten Island, New York 10302
 Tel: (718) 524-4370
 Fax: (718) 524-4390

West Coast Operations

2285 Michael Faraday Dr. Suite 10
 San Diego, California 92154
 Tel: (619) 661-0600

www.mhtlighting.com

888-511-7780

MHT Confidential
 Rev Date: May 2020