

LED STRIP FIXTURE

MHTL-STRP-ECO SERIES

Project _____

Part Number _____

Quantity _____



APPLICATIONS

- Education and Retail
- Healthcare
- Office
- Parking Garage
- Stairwell and Passageway

FEATURES

- >100,000 Hours Rated Lifespan
- 10-year Warranty; L70 > 75,000 Hours
- 0.8mm Die-form Steel Housing (White)
- Frosted Finish Acrylic Lens
- Highly Reflective White Coating
- 1/2" Knock-out On the Sides and the Back
- Optional Integrated Emergency Battery Backup
- Standard Surface Mount Ready
- TAA/BAA Compliant
- Optional Motion Sensor (Attach to the Side Through 1/2" Knockout)



LED/DRIVER

- Universal Input Voltage 120 - 277V
- Optional Input Voltage 347V/480V
- Power Factor > 0.90 @277V
- THD < 20% @ 277V
- CRI > 80
- Color Temperature 4000K/5000K
- Standard 4kV Surge Protection
- 0-10V Dimmable Driver

Model	Input Power	Lumen	CCT	Dimensions
MHTL-STRP-ECO-2FT-20E-4K-U	20W	2,600	4000K	24" x 3.35" x 3.58"
MHTL-STRP-ECO-2FT-35E-4K-U	35W	4,500	4000K	24" x 3.35" x 3.58"
MHTL-STRP-ECO-2FT-45E-4K-U	45W	5,700	4000K	24" x 3.35" x 3.58"
MHTL-STRP-ECO-4FT-40E-4K-U	40W	5,000	4000K	48" x 3.35" x 3.58"
MHTL-STRP-ECO-8FT-70E-4K-U	70W	9,200	4000K	91" x 3.35" x 3.58"
MHTL-STRP-ECO-8FT-90E-4K-U	90W	12,000	4000K	91" x 3.35" x 3.58"



Manufactured in the USA

Toll Free **888-511-7780** • www.mhtlighting.com



LED STRIP FIXTURE

MHTL-STRP-ECO SERIES

Project _____

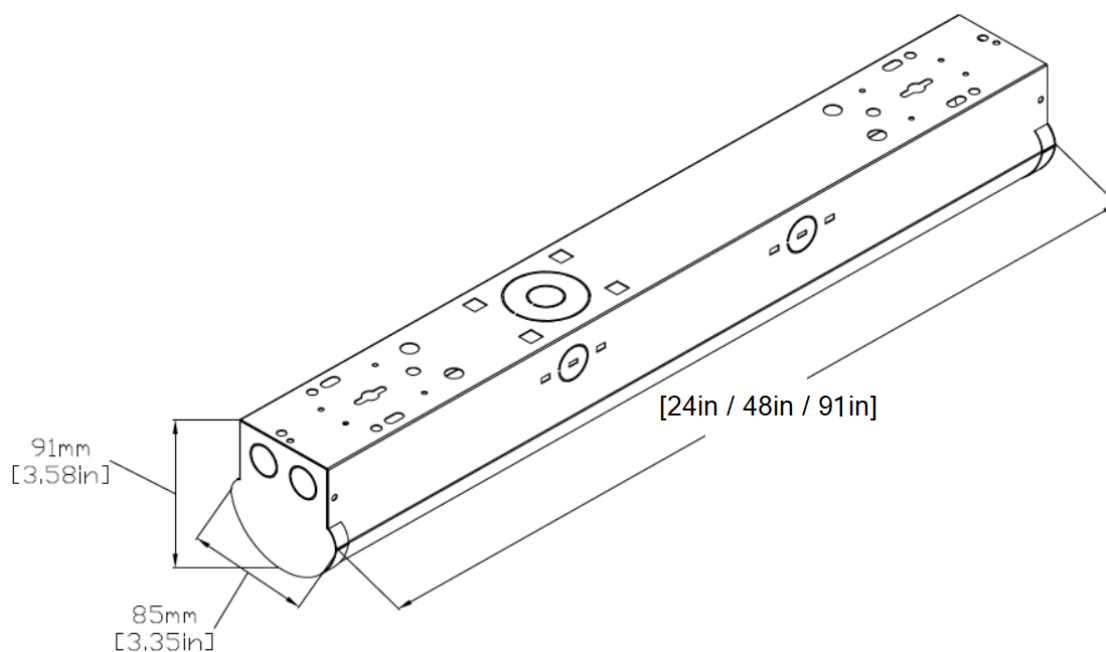
Part Number _____

Quantity _____

ORDERING CODES

MHTL-STRP-ECO	_____ E	_____	_____	_____	_____
	Size & Watt:	Color Temp:	Input Voltage:	Mounting:	Option:
	2FT-20; 2FT-35;	4K=4000K	U=120-277V	SM=Surface	(Standard in White)
	2FT-45; 4FT-40;	5K=5000K	347=347V	CM=Chain Ready	EB=Emergency Battery Backup
	4FT-72; 4FT-88;		480=480V		OS-On/Off=On/Off Motion Sensor
	8FT-45; 8FT-70;				OS-Dim=Dimming Motion Sensor
	8FT-90				

DIMENSIONS



- MHT Products are UL and ETL Listed and Assembled in ISO9000/1 Certified US Facility
- MHT Lighting Offers a 10-year Warranty (See Warranty Terms and Conditions)
- Every Product is Quality Tested and Inspected Prior to Shipment
- For Product IES Files Please Contact Your Local Reps

MHT Plant Operations

1961 Richmond Terrace
Staten Island, New York 10302
Tel: (718) 524-4370
Fax: (718) 524-4390

West Coast Operations

2285 Michael Faraday Dr. Suite 10
San Diego, California 92154
Tel: (619) 661-0600

www.mhtlighting.com

888-511-7780

MHT Confidential
Rev Date: May 2020