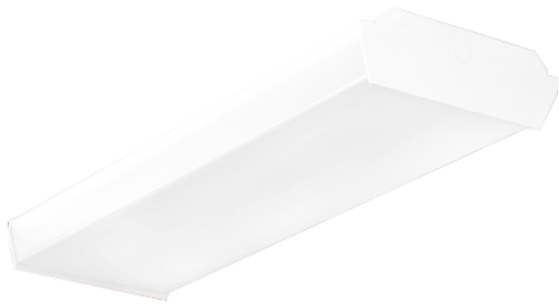


LED WRAP FIXTURE

MHTL-WRP-ECO SERIES

Project _____
 Part Number _____
 Quantity _____

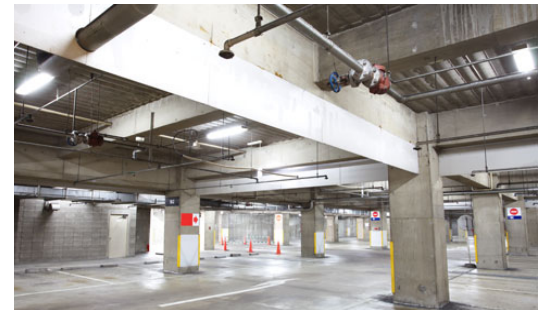


APPLICATIONS

- Education and Retail
- Healthcare
- Office
- Parking Garage
- Stairwell and Passageway

FEATURES

- >100,000 Hours Rated Lifespan
- 10-year Warranty
- L70 > 75,000 Hours
- 0.8mm Die-form Steel Housing (White)
- Frosted Finish Acrylic Lens
- Highly Reflective White Coating
- 1/2" Knock-out On Each Side and the Back
- Standard Surface Mount and Chain Mount Ready
- Optional Integrated Emergency Battery Backup
- TAA/BAA Compliant



LED/DRIVER

- Universal Input Voltage 120 - 277V
- Optional Input Voltage 347V/480V
- Power Factor > 0.90 @277V
- THD < 20% @277V
- CRI > 80 - Optional 90 CRI
- Color Temperature 3500K/4000K/5000K
- Standard 4kV Surge Protection - Optional 20kV
- 0-10V Dimmable LED Driver

Model	Input Power	Lumen	CCT	Dimensions
MHTL-WRP-ECO-2FT-25E-4K-U	25W	3,000	4000K	23.7" x 9.6" x 2.7"
MHTL-WRP-ECO-2FT-35E-4K-U	35W	4,300	4000K	23.7" x 9.6" x 2.7"
MHTL-WRP-ECO-4FT-35E-4K-U	35W	4,400	4000K	47.1" x 9.6" x 2.7"
MHTL-WRP-ECO-4FT-45E-4K-U	45W	6,000	4000K	47.1" x 9.6" x 2.7"
MHTL-WRP-ECO-4FT-70E-4K-U	70W	8,800	4000K	47.1" x 9.6" x 2.7"



Manufactured in the USA

Toll Free **888-511-7780** • www.mhtlighting.com



LED WRAP FIXTURE

MHTL-WRP-ECO SERIES

Project _____

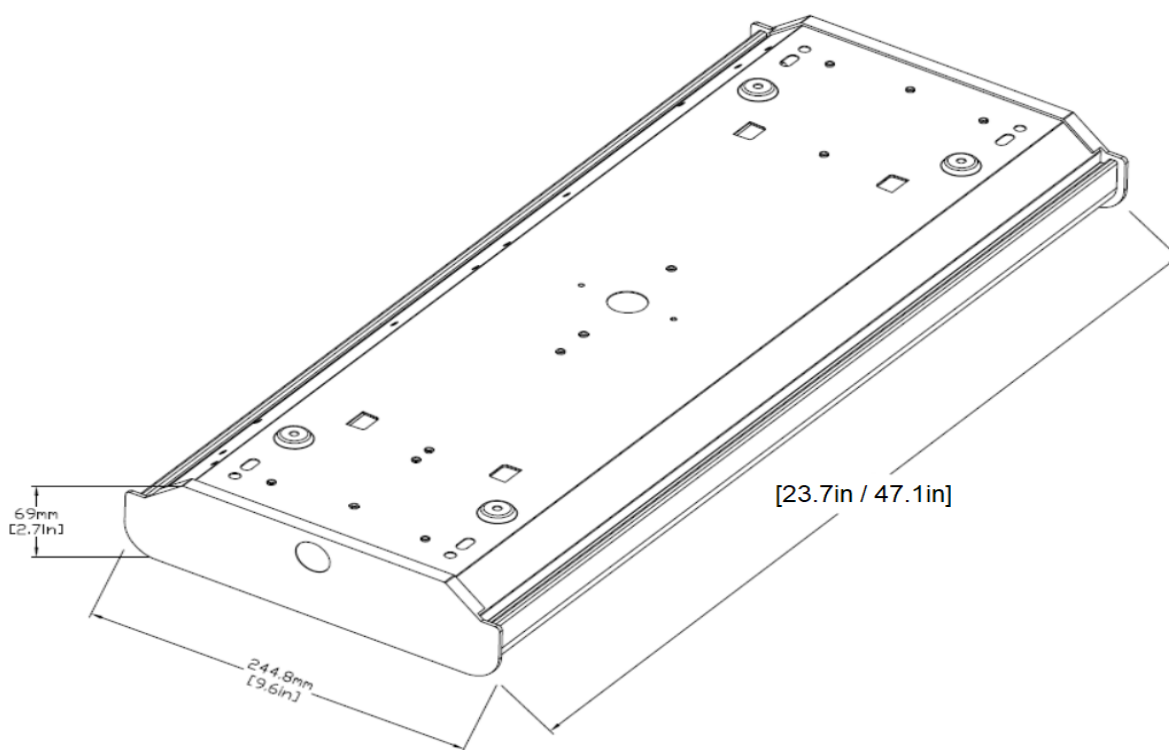
Part Number _____

Quantity _____

ORDERING CODES

MHTL-WRP-ECO	_____ E	_____	_____	_____	_____
	Size & Watt:	Color Temp:	Input Voltage:	Mounting:	Option:
	2FT-25	35K=3500K	U=120-277V	SM=Surface	(Standard in White)
	2FT-35	4K=4000K	347=347V	CM=Chain Ready	EB=Emergency Battery Backup
	4FT-35	5K=5000K	480=480V	PM=3/4" Pendant	90CRI=90 CRI
	4FT-45				OS-On/Off=On/Off Motion Sensor
	4FT-70				OS-Dim=Dimming Motion Sensor
					SPD=20kV Surge Protective Device

DIMENSIONS



- MHT Products are UL Listed and Assembled in ISO9000/1 Certified US Facility
- MHT Lighting Offers a 10-year Warranty (See Warranty Terms and Conditions)
- Every Product is Quality Tested and Inspected Prior to Shipment
- Proudly Manufactured in the USA
- For Product IES Files Please Contact Your Local Reps

MHT Plant Operations

1961 Richmond Terrace
 Staten Island, New York 10302
 Tel: (718) 524-4370
 Fax: (718) 524-4390

West Coast Operations

2285 Michael Faraday Dr. Suite 10
 San Diego, California 92154
 Tel: (619) 661-0600

www.mhtlighting.com

888-511-7780

MHT Confidential
 Rev Date: January 2019