

HIGH/LOW BAY RVLT-ISB SERIES

Project _____

Part Number _____

Quantity _____

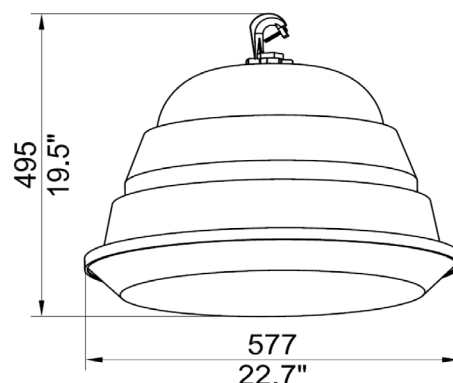


APPLICATIONS

- Factory Floors
- Food Processing
- Gymnasiums
- Industrial Facilities
- Mechanical Facilities
- Recreation Centers
- Supermarkets
- Workshops
- Warehouses

FEATURES & SPEC

- 10-year Warranty; 100,000-hour Rated Life
- Heavy Duty Cold-formed Steel Diffuser
- Powder Coated in White Finish In and Out
- Light Diffusing Prismatic Acrylic Drop Lens
- Superior Uniformity and Low Glare Illumination
- Excellent Thermal Management
- >120° Beam Angle
- Hook Mount or 3/4" Pendant Mount
- 0-10V Dimming Driver
- Universal 110 - 277V Input Voltage
- Power Factor > 0.94 @277V; THD < 8% @277V
- CCT 4000K or 5000K; CRI > 81



Model	Input Power	Lm/W	Lumen	Color Temperature
RVLT-ISB-100-5K-U	100W	128	12,800	5000K
RVLT-ISB-150-5K-U	150W	127	18,200	5000K

ORDERING CODES

RVLT-ISB

Wattage: 100, 150
Color Temp: 4K=4000K, 5K=5000K
Input Voltage: U=120-277V
Mounting: HM=Hook, PM=Pendant
Option: (Standard Sensor Time Delay 5 Minutes)
 OS=On/Off=On/Off Only Motion Sensor
 OS-Dim=Dimming Only Motion Sensor (50% Default)
 CP=Cord & Plug (Specify. Std 3ft Cord & No Plug)
 SPD=Surge Protective Device
 WG=Wire Guard

- Products are Assembled in ISO9000/1 Certified US Facility
- 10-year Warranty (See Warranty Terms and Conditions)
- Every Product is Quality Tested and Inspected Prior to Shipment
- Proudly Manufactured in the USA
- For Product IES Files Please Contact Your Local Reps



203-504-1111
www.mhtlighting.com