

LED TROFFER

MHTL-VOL SERIES

Project _____

Part Number _____

Quantity _____



APPLICATIONS

- Education and Retail
- Healthcare
- Office



FEATURES

- >100,000 Hours Rated Lifespan
- 10-year Warranty; L70 > 100,000 Hours
- 0.8mm Die-form Steel Housing (White)
- Frosted Finished Polycarbonate Lens - Low Glare
- Highly Reflective White Coating
- 1/2" Knock-outs on Top
- Standard Grid Ceiling Mount
- Optional Emergency Battery Backup
- TAA/BAA Compliant



LED/DRIVER

- Universal Input Voltage 120 - 277V
- Optional Input Voltage 347V/480V
- Power Factor > 0.90 @277V
- THD < 20% @277V
- Standard 4kV Surge Protection - Optional 20kV
- 0-10V Dimmable Driver
- CRI > 80 - Optional 90 CRI
- Color Temperature 3500K/4000K/5000K

Model	Input Power	Lumen	Dimensions	DLC Status
MHTL-VOL-2X2-24E	24W	3,000	23.78" x 23.74" x 2.4"	N/A
MHTL-VOL-2X2-38E	38W	4,500	23.78" x 23.74" x 2.4"	DLC in 4000K
MHTL-VOL-2X4-40E	40W	5,200	23.78" x 47.72" x 2.4"	N/A
MHTL-VOL-2X4-50E	50W	6,500	23.78" x 47.72" x 2.4"	N/A
MHTL-VOL-2X4-60E	60W	7,500	23.78" x 47.72" x 2.4"	DLC in 4000K



Manufactured in the USA

Toll Free **888-511-7780** • www.mhtlighting.com



LED TROFFER

MHTL-VOL SERIES

Project _____

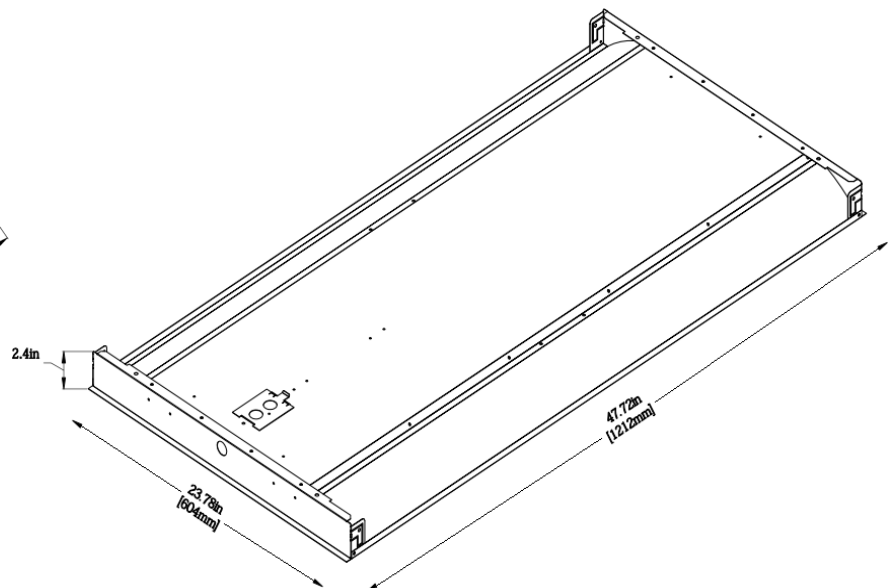
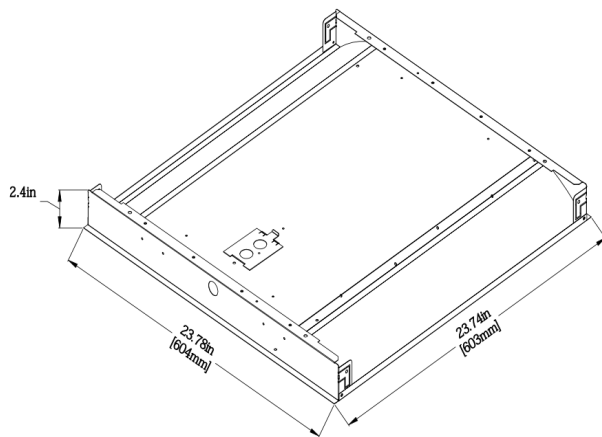
Part Number _____

Quantity _____

ORDERING CODES

MHTL-VOL				
	<u>Wattage:</u>	<u>Color Temperature:</u>	<u>Input Voltage:</u>	<u>Option:</u>
	2X2-24E	35K=3500K	U=120-277V	(Standard in White)
	2X2-38E	4K=4000K	347=347V	EB=Emergency Battery Backup
	2X4-40E	5K=5000K	480=480V	SPD=20kV Surge Protective Device
	2X4-50E			FC=Fixture Control (Lutron FCJ-010)
	2X4-60E			90CRI=90 CRI
				OS-ON/OFF=ON/OFF Only Occupancy Sensor
				OS-DIM=Dimming Occupancy Sensor

DIMENSIONS



- MHT Products are ETL Listed and Assembled in ISO9000/1 Certified US Facility
- MHT Lighting Offers a 10-year Warranty (See Warranty Terms and Conditions)
- Every Product is Quality Tested and Inspected Prior to Shipment
- Proudly Manufactured in the USA
- For Product IES Files Please Contact Your Local Reps

MHT Plant Operations

1961 Richmond Terrace
 Staten Island, New York 10302
 Tel: (718) 524-4370
 Fax: (718) 524-4390

West Coast Operations

2285 Michael Faraday Dr. Suite 10
 San Diego, California 92154
 Tel: (619) 661-0600

www.mhtlighting.com

888-511-7780

MHT Confidential
 Rev Date: November 2018