

# LED DARKSKY WALLPACK

## MHTL-DSWP-ECO SERIES

Project \_\_\_\_\_

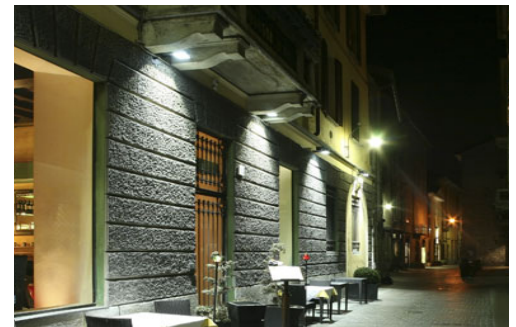
Part Number \_\_\_\_\_

Quantity \_\_\_\_\_



### APPLICATIONS

- Building Exterior
- Parking Garage
- Security Lighting
- Walkway



### FEATURES

- >100,000 Hours Rated Lifespan
- 10-year Warranty
- L70 > 100,000 Hours
- Die Cast Aluminum Housing (Bronze)
- Clear Tempered Glass Lens
- Full Cutoff – Dark Sky Compliant - Type III Distribution
- TAA/BAA Compliant

### LED/DRIVER

- Universal Input Voltage 120 - 277V
- Optional Input Voltage 347V/480V
- Power Factor > 0.90 @277V
- THD < 20% @277V
- 0-10V Dimming Driver
- Color Temperature 4000K/5000K
- CRI > 75
- Standard 4kV Surge Protection



Model	Input Power	CCT	Lumen	Dimensions
MHTL-DSWP-ECO-40E-4K-U	40W	4000K	5,000	14.3" x 9.1" x 11.8"
MHTL-DSWP-ECO-60E-4K-U	60W	4000K	7,500	14.3" x 9.1" x 11.8"
MHTL-DSWP-ECO-80E-4K-U	80W	4000K	10,000	14.3" x 9.1" x 11.8"
MHTL-DSWP-ECO-100E-4K-U	100W	4000K	12,500	14.3" x 9.1" x 11.8"



Manufactured in the USA

Toll Free **888-511-7780** • [www.mhtlighting.com](http://www.mhtlighting.com)



# LED DARKSKY WALLPACK

## MHTL-DSWP-ECO SERIES

Project \_\_\_\_\_

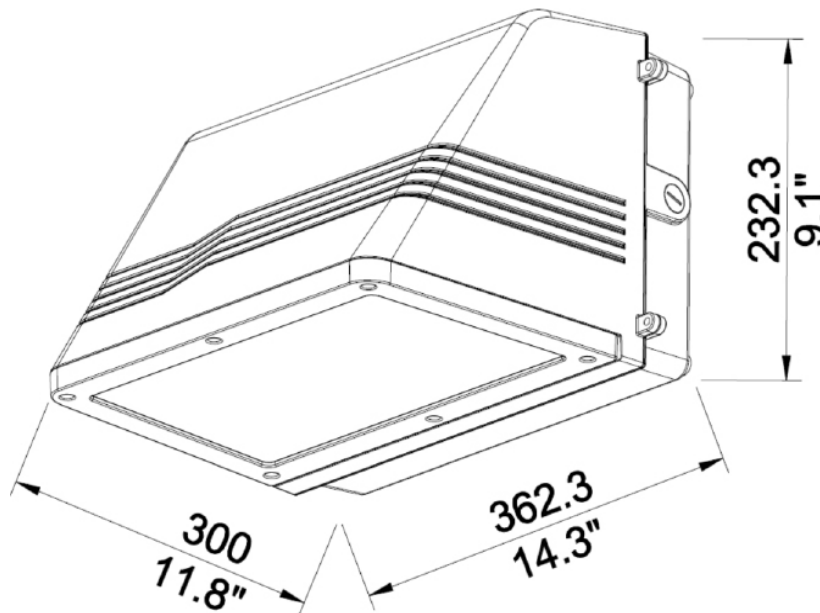
Part Number \_\_\_\_\_

Quantity \_\_\_\_\_

### ORDERING CODES

MHTL-DSWP-ECO	<input type="text"/> E	<input type="text"/>	<input type="text"/>	<input type="text"/>
<u>Wattage:</u>	<u>Color Temperature:</u>	<u>Input Voltage:</u>	<u>Option:</u>	
40, 60,	4K=4000K	U=120-277V	(Standard in Bronze)	
80, 100	5K=5000K	347=347V	SPD=Surge Protective Device	
		480=480V		

### DIMENSIONS



- MHT Products are UL or ETL Listed and Assembled in ISO9000/1 Certified US Facility
- MHT Lighting Offers a 10-year Warranty (See Warranty Terms and Conditions)
- Every Product is Quality Tested and Inspected Prior to Shipment
- For Product IES Files Please Contact Your Local Reps

#### MHT Plant Operations

1961 Richmond Terrace  
 Staten Island, New York 10302  
 Tel: (718) 524-4370  
 Fax: (718) 524-4390

#### West Coast Operations

2285 Michael Faraday Dr. Suite 10  
 San Diego, California 92154  
 Tel: (619) 661-0600

[www.mhtlighting.com](http://www.mhtlighting.com)

**888-511-7780**

MHT Confidential  
 Rev Date: May 2020