

LED RETROFIT DOWN LIGHT

MHTL-DL High Power Series

Project _____
 Part Number _____
 Quantity _____



APPLICATIONS

- Airport, Corporate Campus
- Data Center, Healthcare, Retail



FEATURES

- >50,000 Hours Rated Lifespan
- 5-year Warranty; L70 > 50,000 Hours
- Aluminum Housing and Heat Sink
- Remote LED Driver in Fired-rated Junction Box
- Replacement for Existing Commercial Down Light
- Wet Location Rated
- Available Ceiling Bracket for New Construction
- UL Listed and Meets DLC Standards



SPECIFICATIONS

- Input Voltage 110 - 277V
- CRI > 80
- 0-10V Dimming Driver
- CCT 3000K/3500K/4000K/5000K
- THD < 15% @120V
- Power Factor > 0.95 @120V

Model	Input Power	Fixture Lm/W	Fixture Lumen	Dimensions
MHTL-DL-6-18W	18W	89	1,600	Ø7.48" x 8.64"
MHTL-DL-6-27W	27W	88	2,300	Ø7.48" x 8.64"
MHTL-DL-6-40W	40W	83	3,300	Ø7.48" x 8.64"
MHTL-DL-8-18W	18W	91	1,600	Ø9.29" x 8.98"
MHTL-DL-8-27W	27W	90	2,400	Ø9.29" x 8.98"
MHTL-DL-8-40W	40W	86	3,400	Ø9.29" x 8.98"
MHTL-DL-10-27W	27W	88	2,900	Ø11" x 10"
MHTL-DL-10-40W	40W	83	3,300	Ø11" x 10"
MHTL-DL-10-54W	54W	87	4,500	Ø11" x 10"



Manufactured in the USA

Toll Free **888-511-7780** • www.mhtlighting.com



LED RETROFIT DOWN LIGHT

MHTL-DL High Power Series

Project _____

Part Number _____

Quantity _____

ORDERING CODES

MHTL-DL

--	--	--	--

Size and Wattage:

6-18W=6 inches, 18 Watts
 6-27W=6 inches, 27 Watts
 6-40W=6 inches, 40 Watts
 8-18W=8 inches, 18 Watts
 8-27W=8 inches, 27 Watts
 8-40W=8 inches, 40 Watts
 10-27W=10 inches, 27 Watts
 10-40W=10 inches, 40 Watts
 10-54W=10 inches, 54 Watts

Color Temperature:

3K=3000K
 35K=3500K
 4K=4000K
 5K=5000K

Input Voltage:

U=110-277V

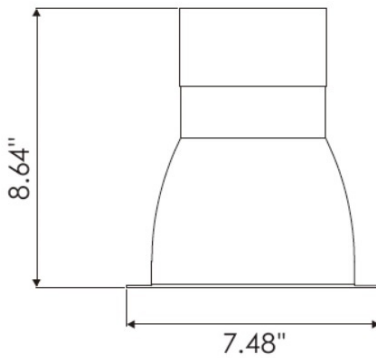
Option:

(Standard White Trim)
 EB=Emergency Battery Backup
 CB=Ceiling Bracket
 (Required For New Construction Use)

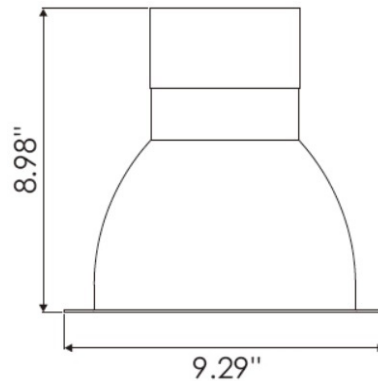
***MOQ 100 pcs is required**

SIZE & PHOTOMETRIC

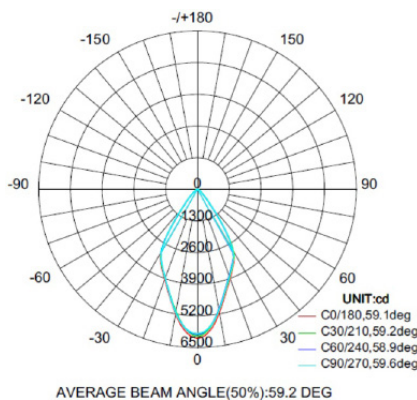
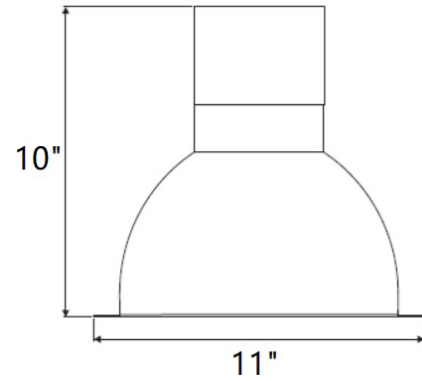
MHTL-DL-6



MHTL-DL-8



MHTL-DL-10



- MHT Products are UL Listed Assembled in ISO9000/1 Certified US Facility
- MHT Lighting Offers a 5-year Warranty (See Warranty Terms and Conditions)
- Every Product is Quality Tested and Inspected Prior to Shipment
- Proudly Manufactured in the USA
- For Product IES Files Please Contact Your Local Reps

MHT Plant Operations

1961 Richmond Terrace
 Staten Island, New York 10302
 Tel: (718) 524-4370
 Fax: (718) 524-4390

West Coast Operations

2285 Michael Faraday Dr. Suite 10
 San Diego, California 92154
 Tel: (619) 661-0600

www.mhtlighting.com

888-511-7780

MHT Confidential
 Rev Date: May 2018