

LED PANEL MHTL-PAN-SG SERIES

Project _____

Part Number _____

Quantity _____



APPLICATIONS

- Conference/Meeting Room
- Commercial Building
- Healthcare
- Office and School

FEATURES

- 5-year Warranty
- >100,000 Hours Rated Lifespan
- L70 > 60,000 Hours
- Aluminum and Steel Construction
- High Performance Diffuser
- Access Box On Top with 1/2" Knock-outs
- No Glare and Full Even Light Distribution
- Standard Ceiling Grid Mount with Cable Mount Hooks
- Available Ceiling Surface Mount Kit or Recessed Drywall Kit
- Available Remote Mounted Emergency Battery Backup (Field Installed is Required)



LED/DRIVER

- Universal Input Voltage 120 - 277V
- Color Temperature 4000/5000K
- CRI > 80
- 0-10V Dimmable Driver
- THD < 15% @277V
- Power Factor > 0.95 @277V

Model	Input Power	Lm/W	Lumen	Dimensions
MHTL-PAN-SG-2X2-30E-4K	30W	125	3,750	23.7" x 23.7" x 1.6"
MHTL-PAN-SG-2X2-40E-4K	40W	125	5,000	23.7" x 23.7" x 1.6"
MHTL-PAN-SG-2X4-52E-4K	52W	125	6,500	23.7" x 47.8" x 1.6"
MHTL-PAN-SG-1X4-36E-4K	36W	125	4,500	11.9" x 47.8" x 1.6"



Manufactured in the USA

Toll Free **888-511-7780** • www.mhtlighting.com



LED PANEL MHTL-PAN-SG SERIES

Project _____

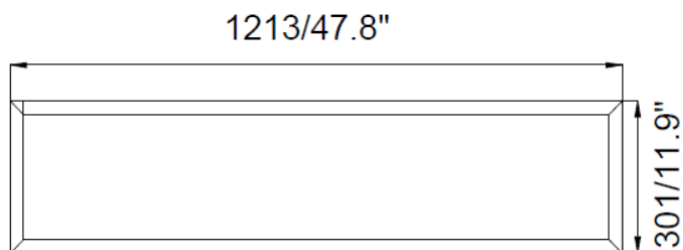
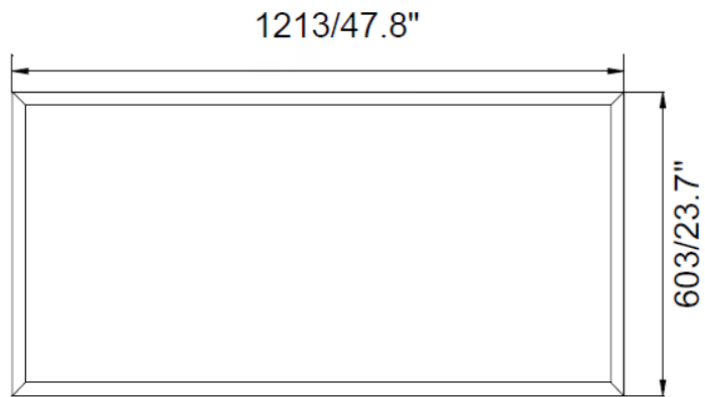
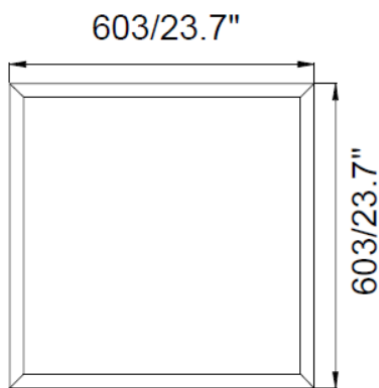
Part Number _____

Quantity _____

ORDERING CODES

MHTL-PAN-SG					
	<u>Wattage:</u>	<u>Color Temp:</u>	<u>Input Voltage:</u>	<u>Mounting:</u>	<u>Option:</u>
	2X2-30E	4K=4000K	U=120-277V	SM=Flush Surface Mount Kit	(Standard White Trim)
	2X2-40E	5K=5000K		DK=Recessed Drywall Kit	EB=Emergency Backup
	1X4-36E				
	2X4-52E				

DIMENSIONS



- MHT Products are UL or ETL Listed and Assembled in ISO9000/1 Certified US Facility
- MHT Lighting Offers a 5-year Warranty (See Warranty Terms and Conditions)
- Every Product is Quality Tested and Inspected Prior to Shipment
- For Product IES Files Please Contact Your Local Reps

MHT Plant Operations

1961 Richmond Terrace
Staten Island, New York 10302
Tel: (718) 524-4370
Fax: (718) 524-4390

West Coast Operations

2285 Michael Faraday Dr. Suite 10
San Diego, California 92154
Tel: (619) 661-0600

www.mhtlighting.com

888-511-7780

MHT Confidential
Rev Date: May 2020