

LED SINGLE LENS VOLUMETRIC Series MHTi-VOLS-SC



PROJECT:

TYPE:

NOTES:

ORDERING CODE

MHTi-VOLS-SC — [] — [] — [] — []
 Model Size & Wattage CCT Mounting Options

EXAMPLE

MHTi-VOLS-SC — 2X2-28E — 35K — RM — EM

FEATURES

- An inspeXtor Platform Compatible Fixture Powered by Cisco using PoE (Power over Ethernet) Cabling
- The inspeXtor Platform is a PoE Lighting Management System providing Building Automation and Data Collection
- PoE Systems are Safe and Efficient Low Voltage Platforms
- Single Basket Volumetric LED Fixture Complete with Integrated Sensor
- Ideal for Corporate Campuses, Education, Retail, and Healthcare Facilities

Series:

MHTi-VOLS-SC

Size & Wattage:

1X4-28E - 28W 1x4 Volumetric
 2X2-28E - 28W 2x2 Volumetric
 2X4-28E - 28W 2x4 Volumetric
 2X4-48E - 48W 2x4 Volumetric

Color Temperatures:

3K - 3000K
 35K - 3500K
 4K - 4000K
 5K - 5000K
 AT - Tunable 3000K to 5000K

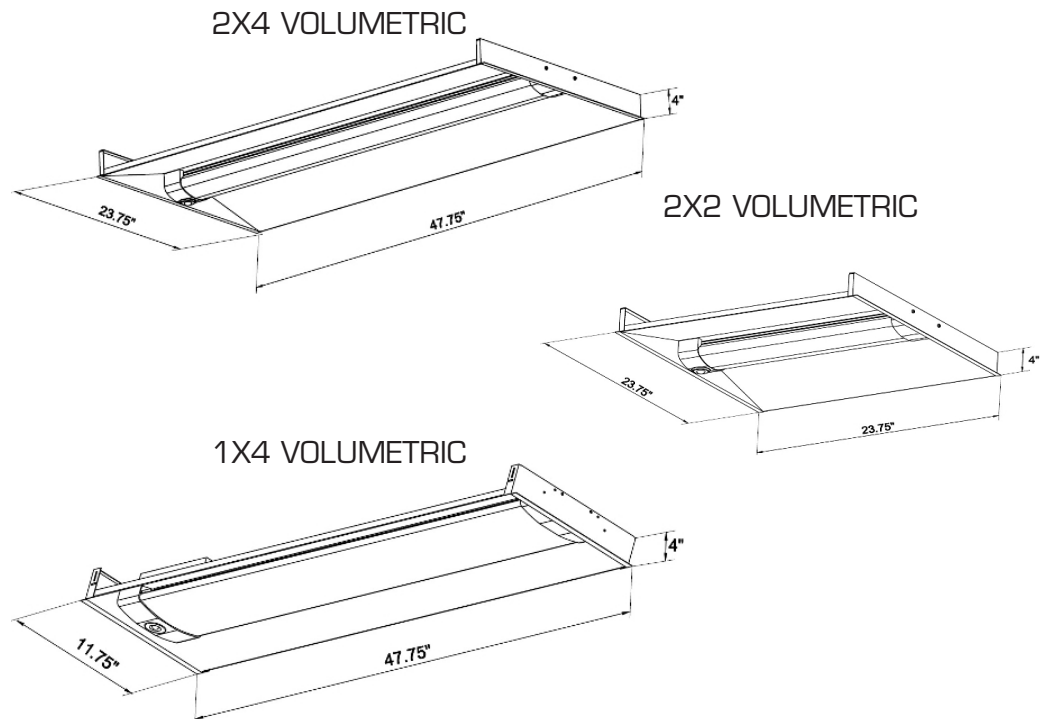
Mountings:

SM - Ceiling Surface Mount
 RM - Recessed Grid Mount

Options:

Standard in White
 EM - Emergency Battery Backup
 IS - Integrated Motion Sensor

DIMENSIONS:



Manufactured in the USA

Toll Free **888-511-7780** • www.inspeXtor.com

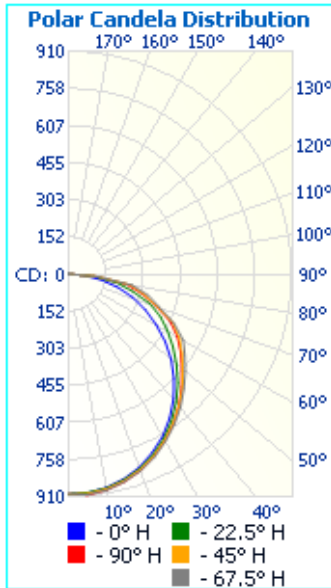


LED SINGLE LENS VOLUMETRIC Series MHTi-VOLS-SC

PHOTOMETRICS:

MHTi-VOLS-SC-2X2-28E

Luminaire Output: 2,954 lumens, 28 Watts

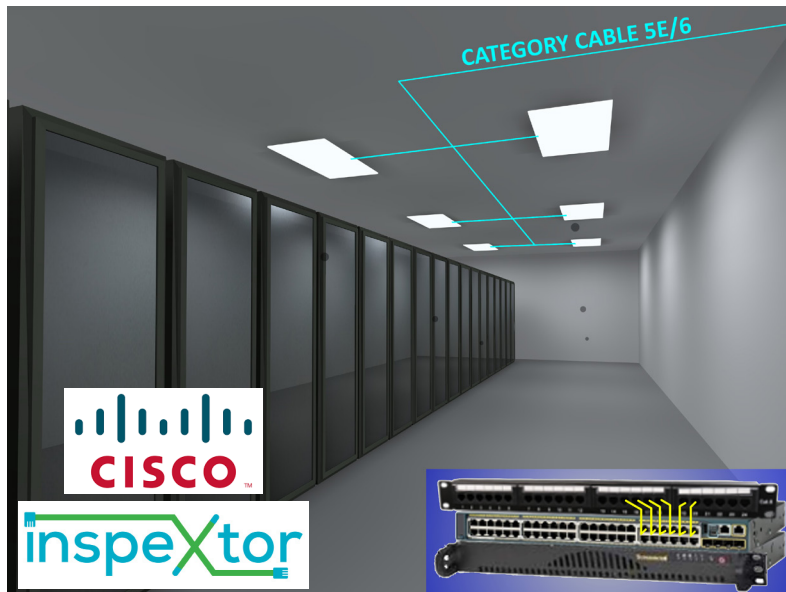


	Illuminance at a Distance	
	Center Beam fc	Beam Width
1.5ft	398 fc	4.6 ft 6.6 ft
3.0ft	99.4 fc	9.2 ft 13.2 ft
4.5ft	44.2 fc	13.7 ft 19.8 ft
6.0ft	24.9 fc	18.3 ft 26.4 ft
7.5ft	15.9 fc	22.9 ft 33.0 ft
9.0ft	11.0 fc	27.5 ft 39.6 ft

■ Vert. Spread: 113.6°
■ Horiz. Spread: 131.1°

FIXTURE PERFORMANCE:

MODEL	MAX WATTAGE	LUMEN
MHTi-VOLS-SC-1X4-28E-35K	28W	3,000
MHTi-VOLS-SC-2X2-28E-35K	28W	3,000
MHTi-VOLS-SC-2X4-48E-35K	48W	5,200



- All Products are ETL Listed and Assembled in ISO9000/1 Certified US Facility
- Fixtures carry a limited 10-year Warranty (See Warranty Terms and Conditions)
- Every Product is Quality Tested and Inspected Prior to Shipment
- Proudly Manufactured in the USA

SPECIFICATIONS

Housing: Slim and Lightweight Steel Housing, With a Highly Reflective White Finish.

Lens: White Polycarbonate

Electrical: Integrated PoE Low Voltage Driver Node. Optional Integrated Motion Sensor and Emergency Battery Backup.

Mounting: Standard Grid Mount. Optional Ceiling Surface Mount Kit.

Warranty: 10-Year Warranty

Initial Delivered Lumens:
3,000 - 5,200 Lumens

Max Input Power: 28W/48W

CRI: > 80

CCT: 3000K/3500K/
4000K/5000K
Tunable 3000K to 5000K

L70 Lifetime: >50,000 Hours

Rated Lifespan: >100,000 Hours

Dimensions:

1x4: 11.75" x 47.75" x 4"
2x2: 23.75" x 23.75" x 4"
2x4: 23.75" x 47.75" x 4"

inspextor Plant Operations

1961 Richmond Terrace
Staten Island, New York 10302
Tel: (718) 524-4370
Fax: (718) 524-4390

West Coast Operations

2285 Michael Faraday Drive
Suite 10
San Diego, California 92154
Tel: (619) 661-0600

www.inspextor.com

888-511-7780

Rev Date: June 2019