



PROJECT:

TYPE:

NOTES:

**ORDERING CODE**

MHTi-VOL-SC — [ ] — [ ] — [ ] — [ ]  
 Model                      Size & Wattage                      CCT                      Mounting                      Options

**EXAMPLE**

MHTi-VOL-SC — 2X2-28E — 35K — RM — EM

## FEATURES

- An inspeXtor Platform Compatible Fixture Powered by Cisco using PoE (Power over Ethernet) Cabling
- The inspeXtor Platform is a PoE Lighting Management System providing Building Automation and Data Collection
- PoE Systems are Safe and Efficient Low Voltage Platforms
- Double Basket Volumetric LED Fixture Complete with Integrated Sensor
- Ideal for Corporate Campuses, Education, Retail, and Healthcare Facilities

Series:

MHTi-VOL-SC

Size & Wattage:

2X2-28E - 28W 2x2 Volumetric  
 2X4-28E - 28W 2x4 Volumetric  
 2X4-48E - 48W 2x4 Volumetric

Color Temperatures:

3K - 3000K  
 35K - 3500K  
 4K - 4000K  
 5K - 5000K

Mountings:

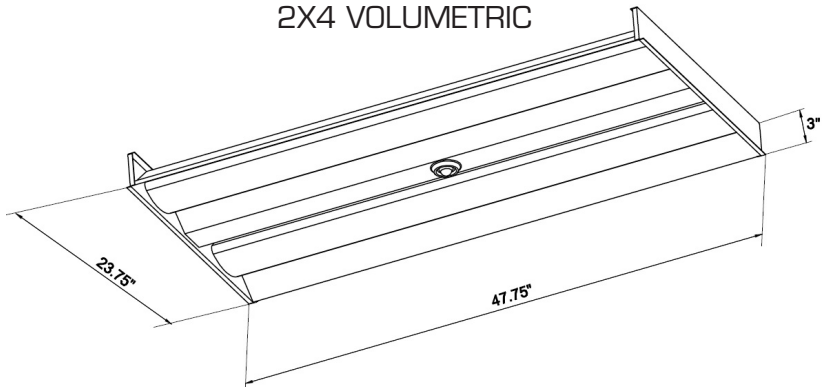
SM - Ceiling Surface Mount  
 RM - Recessed Grid Mount

Options:

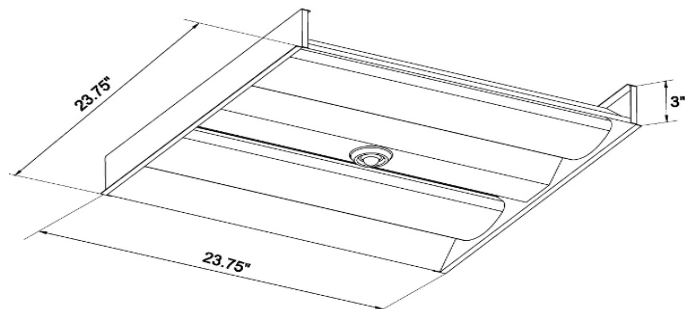
Standard in White  
 EM - Emergency Battery Backup  
 IS - Integrated Motion Sensor

**DIMENSIONS:**

2X4 VOLUMETRIC



2X2 VOLUMETRIC



Manufactured in the USA

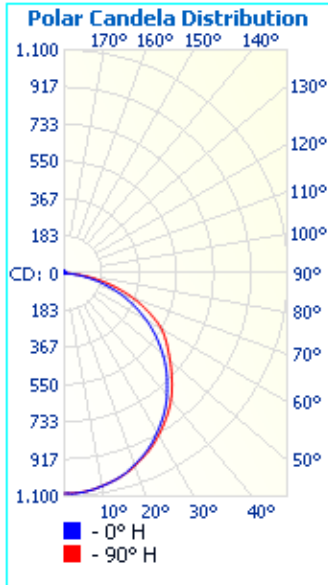
Toll Free **888-511-7780** • [www.inspeXtor.com](http://www.inspeXtor.com)



## PHOTOMETRICS:

### MHTi-VOL-SC-2X2-28E

Luminaire Output: 3,231 lumens, 28 Watts



	Illuminance at a Distance	
	Center Beam fc	Beam Width
1.5ft	485 fc	4.3 ft 5.5 ft
3.0ft	121 fc	8.7 ft 11.0 ft
4.5ft	53.8 fc	13.0 ft 16.4 ft
6.0ft	30.3 fc	17.3 ft 21.9 ft
7.5ft	19.4 fc	21.7 ft 27.4 ft
9.0ft	13.5 fc	26.0 ft 32.9 ft

■ Vert. Spread: 110.7°  
■ Horiz. Spread: 122.6°

## FIXTURE PERFORMANCE:

MODEL	MAX WATTAGE	LUMEN
MHTi-VOL-SC-2X2-28E-35K	28W	3,200
MHTi-VOL-SC-2X4-28E-35K	28W	3,200
MHTi-VOL-SC-2X4-48E-35K	48W	5,400

## SPECIFICATIONS

**Housing:** Slim and Lightweight Steel Housing, With a Highly Reflective White Finish

**Lens:** White Polycarbonate

**Electrical:** Integrated PoE Low Voltage Driver Node. Optional Integrated Motion Sensor and Emergency Battery Backup.

**Mounting:** Standard Grid Mount. Optional Ceiling Surface Mount Kit

**Warranty:** 10-Year Warranty

**Initial Delivered Lumens:**  
3,200 - 5,400 Lumens

**Max Input Power:** 28W/48W

**CRI:** > 80

**CCT:** 3000K/3500K/  
4000K/5000K

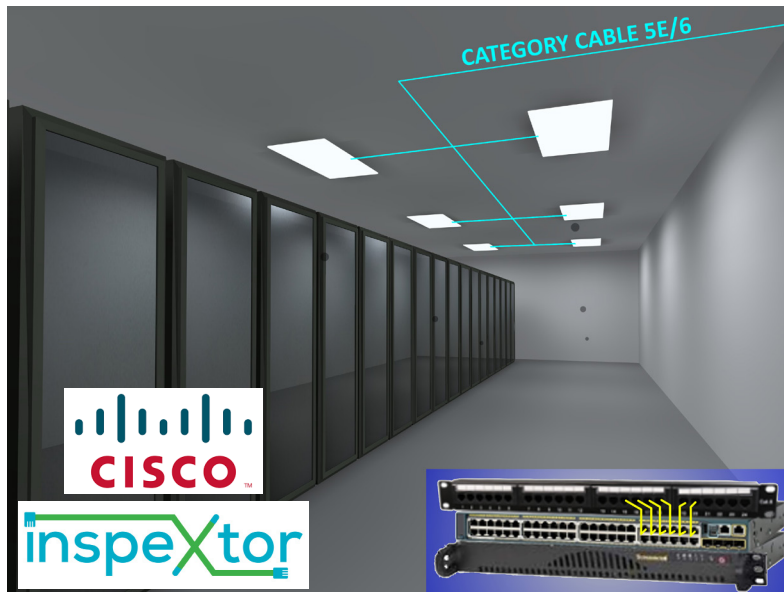
**L70 Lifetime:** >50,000 Hours

**Rated Lifespan:** >100,000 Hours

### Dimensions:

2x2: 23.75" x 23.75" x 2.38"

2x4: 23.75" x 47.75" x 2.38"



- All Products are ETL Listed and Assembled in ISO9000/1 Certified US Facility
- Fixtures carry a limited 10-year Warranty (See Warranty Terms and Conditions)
- Every Product is Quality Tested and Inspected Prior to Shipment
- Proudly Manufactured in the USA

### inspextor Plant Operations

1961 Richmond Terrace  
Staten Island, New York 10302  
Tel: (718) 524-4370  
Fax: (718) 524-4390

### West Coast Operations

2285 Michael Faraday Drive  
Suite 10  
San Diego, California 92154  
Tel: (619) 661-0600

[www.inspextor.com](http://www.inspextor.com)

**888-511-7780**

Rev Date: June 2019