



FEATURES

- An inspeXtor Platform Compatible Fixture Powered by Cisco using PoE (Power over Ethernet) Cabling
- The inspeXtor Platform is a PoE Lighting Management System providing Building Automation and Data Collection
- PoE Systems are Safe and Efficient Low Voltage Platforms
- LED Wraparound Style LED Fixture
- Ideal for Corporate Campuses, Data Centers, Education, Retail, and Healthcare Facilities

PROJECT:

TYPE:

NOTES:

ORDERING CODE

MHTi-STRP-SC

Model

Size & Wattage

CCT

Mounting

Options

EXAMPLE

MHTi-STRP-SC

4FT-28E

4K

SM

IS

Series:

MHTi-STRP-SC

Size & Wattage:

4FT-28E - 4FT - 28W

8FT-48E - 8FT - 48W

Color Temperatures:

3K - 3000K

35K - 3500K

4K - 4000K

5K - 5000K

Mountings:

AC - Suspended Cable

SM - Ceiling/Wall Surface Mount

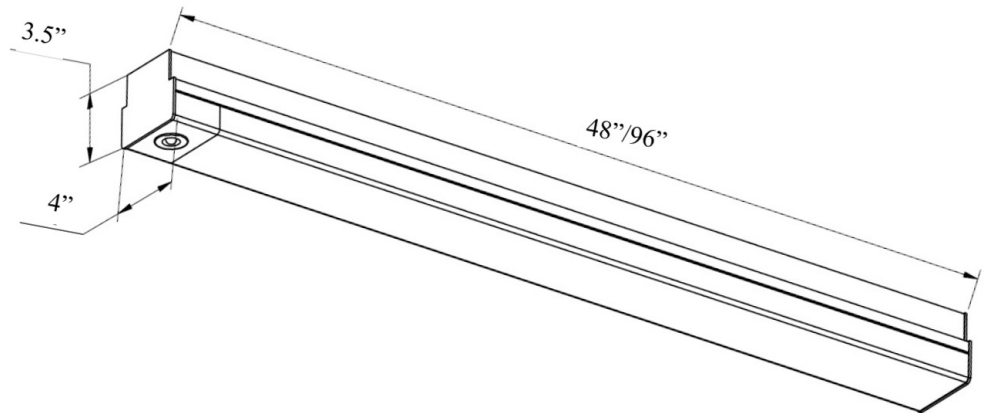
Options:

Standard in White

EM - Emergency Battery Backup

IS - Integrated Motion Sensor

DIMENSIONS:



Manufactured in the USA

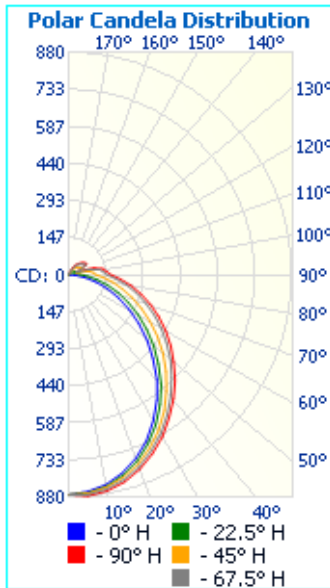
Toll Free **888-511-7780** • www.inspeXtor.com



PHOTOMETRICS:

MHTi-STRP-SC-4FT-28E

Luminaire Output: 3,056 lumens, 28 Watts



Illuminance at a Distance

	Center Beam fc	Beam Width	
1.5ft	385 fc	3.4 ft	5.4 ft
3.0ft	96.3 fc	6.7 ft	10.8 ft
4.5ft	42.8 fc	10.1 ft	16.2 ft
6.0ft	24.1 fc	13.4 ft	21.6 ft
7.5ft	15.4 fc	16.8 ft	27.0 ft
9.0ft	10.7 fc	20.1 ft	32.4 ft

■ Vert. Spread: 96.4°
■ Horiz. Spread: 121.9°

FIXTURE PERFORMANCE:

MODEL	MAX WATTAGE	LUMEN
MHTi-STRP-SC-4FT-28E-35K	28W	3,000
MHTi-STRP-SC-8FT-48E-35K	48W	5,200

SPECIFICATIONS

Housing: Lightweight Steel Matte White Housing

Lens: Clear Prismatic Acrylic

Electrical: Integrated PoE Low Voltage Driver Node. Optional Integrated Motion Sensor and Emergency Battery Backup.

Warranty: 10-Year Warranty

Initial Delivered Lumens: 3,000 - 5,200 Lumens

Max Input Power: 28W/48W

CCT: 3000K/3500K/4000K/5000K

CRI: >80

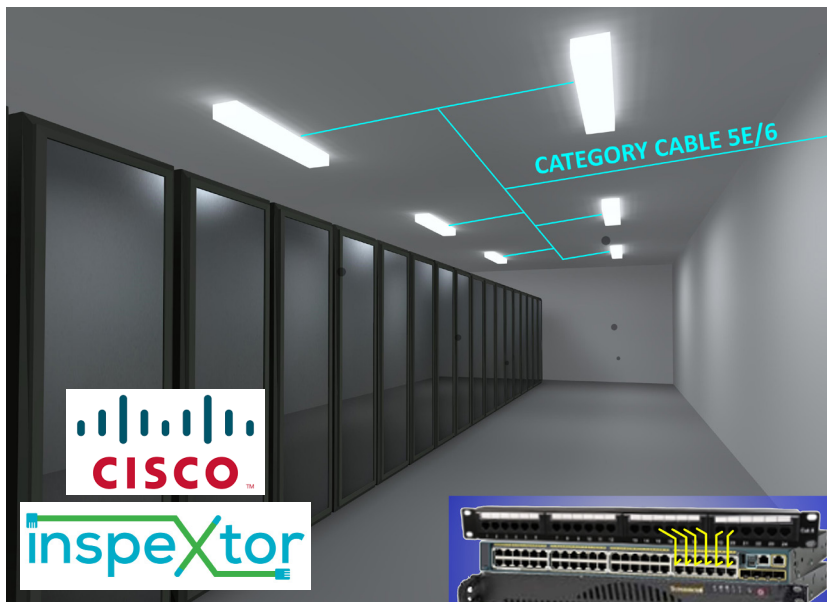
L70 Lifetime: >50,000 Hours

Rated Lifespan: >100,000 Hours

Dimensions:

4FT: 48" x 4" x 3.5"

8FT: 96" x 4" x 3.5"



- All Products are ETL Listed and Assembled in ISO9000/1 Certified US Facility
- Fixtures carry a limited 10-year Warranty (See Warranty Terms and Conditions)
- Every Product is Quality Tested and Inspected Prior to Shipment
- Proudly Manufactured in the USA

inspextor Plant Operations

1961 Richmond Terrace
Staten Island, New York 10302
Tel: (718) 524-4370
Fax: (718) 524-4390

West Coast Operations

2285 Michael Faraday Drive
Suite 10
San Diego, California 92154
Tel: (619) 661-0600

www.inspextor.com

888-511-7780

Rev Date: June 2019