



PROJECT:

TYPE:

NOTES:

**ORDERING CODE**

MHTi-STRP-ECO-SC

Model

Size & Wattage

CCT

Mounting

Options

**EXAMPLE**

MHTi-STRP-ECO-SC

4FT-28E

4K

SM

EM

## FEATURES

- An inspeXtor Platform Compatible Fixture Powered by Cisco using PoE (Power over Ethernet) Cabling
- The inspeXtor Platform is a PoE Lighting Management System providing Building Automation and Data Collection
- PoE Systems are Safe and Efficient Low Voltage Platforms
- LED Wraparound Style LED Fixture
- Ideal for Corporate Campuses, Data Centers, Education, Retail, and Healthcare Facilities

Series:

MHTi-STRP-ECO-SC

Size & Wattage:

2FT-28E - 2FT - 28W

4FT-28E - 4FT - 28W

Color Temperatures:

3K - 3000K

35K - 3500K

4K - 4000K

5K - 5000K

Mountings:

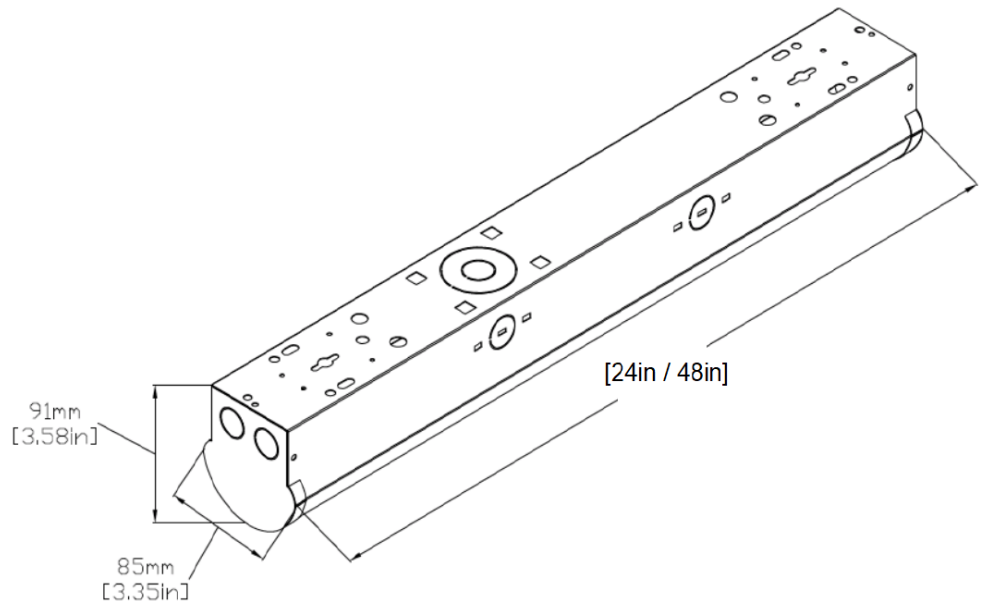
AC - Suspended Cable Mount

SM - Ceiling/Wall Surface Mount

Options:

EM - Emergency Battery Backup

## DIMENSIONS:



Manufactured in the USA

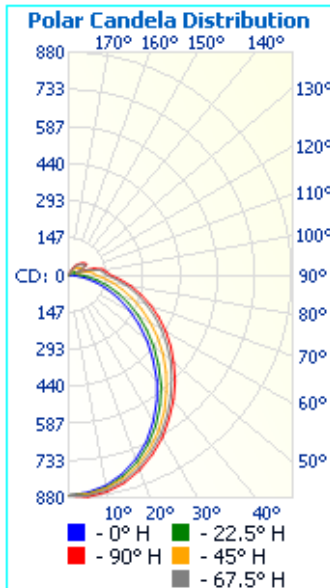
Toll Free **888-511-7780** • [www.inspeXtor.com](http://www.inspeXtor.com)



## PHOTOMETRICS:

### MHTi-STRP-ECO-SC-4FT-28E

Luminaire Output: 3,005 lumens, 28 Watts



	Center Beam fc	Beam Width	
1.5ft	385 fc	3.4 ft	5.4 ft
3.0ft	96.3 fc	6.7 ft	10.8 ft
4.5ft	42.8 fc	10.1 ft	16.2 ft
6.0ft	24.1 fc	13.4 ft	21.6 ft
7.5ft	15.4 fc	16.8 ft	27.0 ft
9.0ft	10.7 fc	20.1 ft	32.4 ft

■ Vert. Spread: 96.4°  
■ Horiz. Spread: 121.9°

## FIXTURE PERFORMANCE:

MODEL	MAX WATTAGE	LUMEN
MHTi-STRP-ECO-SC-2FT-28E-35K	28W	3,000
MHTi-STRP-ECO-SC-4FT-28E-35K	28W	3,000

## SPECIFICATIONS

**Housing:** Steel Construction  
Housing with Highly Reflective White Coating

**Lens:** Clear Prismatic  
Polycarbonate

**Electrical:** Integrated PoE Low Voltage Driver Node. Optional Integrated Emergency Battery Backup. Optional Non-integrated Motion Sensor.

**Warranty:** 10-Year Warranty

**Initial Delivered Lumens:**  
3,000 Lumens

**Max Input Power:** 28W

**CCT:** 3000K/3500K/  
4000K/5000K

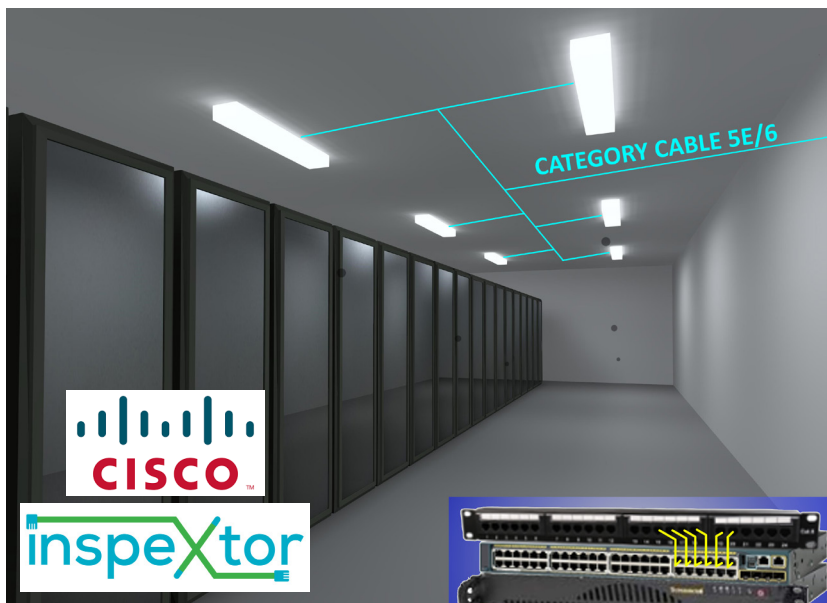
**CRI:** >80

**L70 Lifetime:** >50,000 Hours

**Rated Lifespan:** >100,000 Hours

### Dimensions:

2FT: 24" x 3.35" x 3.58"  
4FT: 48" x 3.35" x 3.58"



- All Products are ETL Listed and Assembled in ISO9000/1 Certified US Facility
- Fixtures carry a limited 10-year Warranty (See Warranty Terms and Conditions)
- Every Product is Quality Tested and Inspected Prior to Shipment
- Proudly Manufactured in the USA

### inspeXtor Plant Operations

1961 Richmond Terrace  
Staten Island, New York 10302  
Tel: (718) 524-4370  
Fax: (718) 524-4390

### West Coast Operations

2285 Michael Faraday Drive  
Suite 10  
San Diego, California 92154  
Tel: (619) 661-0600

[www.inspeXtor.com](http://www.inspeXtor.com)

**888-511-7780**

Rev Date: June 2019