



FEATURES

- An inspeXtor Platform Compatible Fixture Powered by Cisco using PoE (Power over Ethernet) Cabling
- The inspeXtor Platform is a PoE Lighting Management System providing Building Automation and Data Collection
- PoE Systems are Safe and Efficient Low Voltage Platforms
- LED Surface Mounted Round Ceiling LED Fixture
- Ideal for Corporate Campuses, Conference and Meeting Rooms, Education, and Healthcare Facilities

PROJECT:

TYPE:

NOTES:

ORDERING CODE

MHTi-RFM-SC

Model

Size & Wattage

CCT

Options

EXAMPLE

MHTi-RFM-SC

20-28E

3K

EM

Series:

MHTi-RFM-SC

Color Temperatures:

3K - 3000K

35K - 3500K

4K - 4000K

5K - 5000K

Size & Wattage:

15-20E - 15.7" - 20W

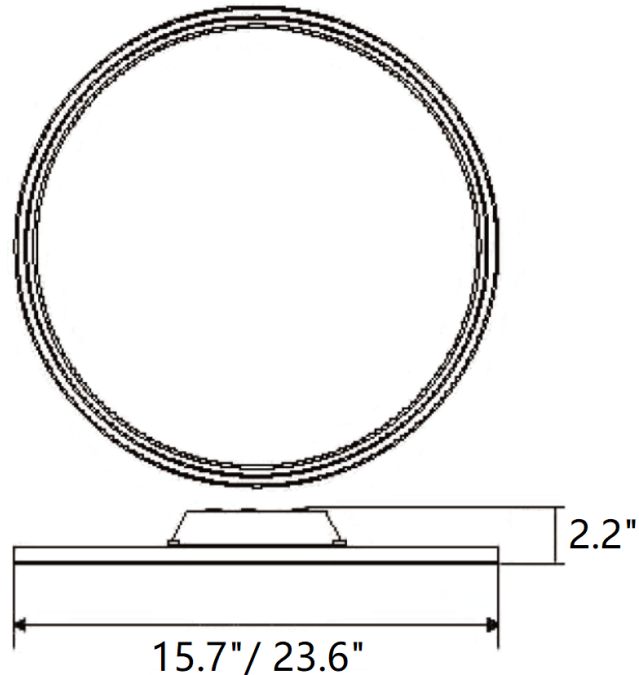
20-28E - 23.6" - 28W

Options:

Standard in White

EM - Emergency Battery Backup

DIMENSIONS:



Manufactured in the USA

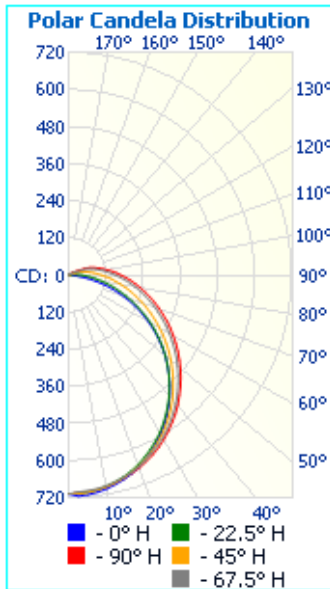
Toll Free **888-511-7780** • www.inspeXtor.com



PHOTOMETRICS:

MHTi-RFM-SC-15-20E

Luminaire Output: 2,091 lumens, 20 Watts

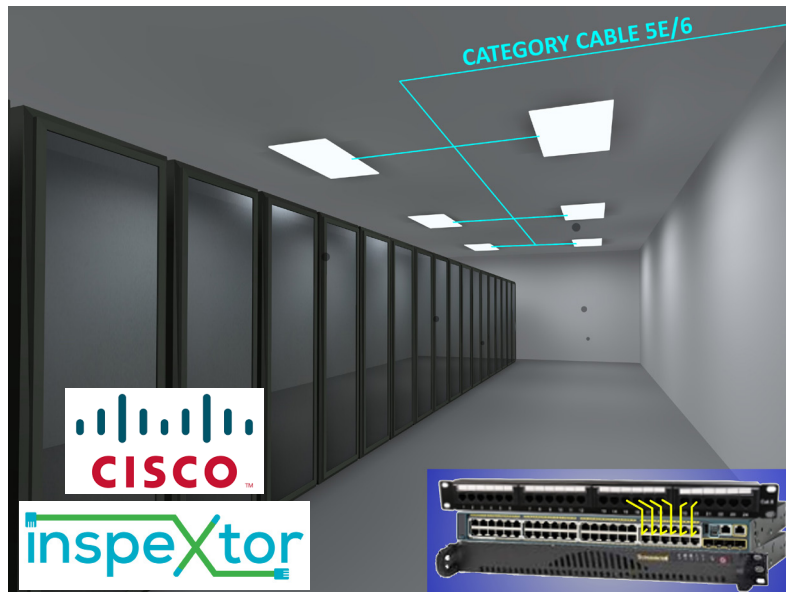


	Center Beam fc	Beam Width	
1.5ft	313 fc	4.2 ft	6.1 ft
3.0ft	78.3 fc	8.4 ft	12.2 ft
4.5ft	34.8 fc	12.6 ft	18.3 ft
6.0ft	19.6 fc	16.8 ft	24.4 ft
7.5ft	12.5 fc	21.0 ft	30.5 ft
9.0ft	8.70 fc	25.2 ft	36.6 ft

■ Vert. Spread: 108.9°
■ Horiz. Spread: 127.6°

FIXTURE PERFORMANCE:

MODEL	MAX WATTAGE	LUMEN
MHTi-RFM-SC-15-20E-3K	20W	2,000
MHTi-RFM-SC-20-28E-3K	28W	2,800



- All Products are ETL Listed and Assembled in ISO9000/1 Certified US Facility
- Fixtures carry a limited 10-year Warranty (See Warranty Terms and Conditions)
- Every Product is Quality Tested and Inspected Prior to Shipment
- Proudly Manufactured in the USA

SPECIFICATIONS

Housing: Die-cast Aluminum Trim

Lens: White Acrylic

Electrical: Integrated PoE Low Voltage Driver Node. Non-integrated Motion Sensor and Emergency Battery Backup.

Warranty: 10-Year Warranty

Initial Delivered Lumens:

2,000 - 2,800 Lumens

Max Input Power: 20W/28W

CCT: 3000K/3500K/
4000K/5000K/
Tunable 2700K to 5700K

CRI: 85

L70 Lifetime: >50,000 Hours

Rated Lifespan: >100,000 Hours

Dimensions:

15-20E - 15.7" x 2.2"

20-28E - 23.6" x 2.2"

inspextor Plant Operations

1961 Richmond Terrace
Staten Island, New York 10302
Tel: (718) 524-4370
Fax: (718) 524-4390

West Coast Operations

2285 Michael Faraday Drive
Suite 10
San Diego, California 92154
Tel: (619) 661-0600

www.inspextor.com

888-511-7780

Rev Date: June 2019