



FEATURES

- An inspeXtor Platform Compatible Fixture Powered by Cisco using PoE (Power over Ethernet) Cabling
- The inspeXtor Platform is a PoE Lighting Management System providing Building Automation and Data Collection
- PoE Systems are Safe and Efficient Low Voltage Platforms
- LED Aluminum Round Down Light With Non-Integrated Sensor and PoE Driver Node
- Ideal for Airports, Corporate Campuses, Data Centers, Retail, and Healthcare Facilities



PROJECT: _____ TYPE: _____

NOTES: _____

ORDERING CODE

MHTi-DL-SC-4 — [] — [] — []

Model Size & Wattage CCT Options

EXAMPLE

MHTi-DL-SC — 4-9E — 3K — EM

Series: _____
MHTi-DL-SC

Color Temperatures: _____

- 3K - 3000K
- 35K - 3500K
- 4K - 4000K
- 5K - 5000K

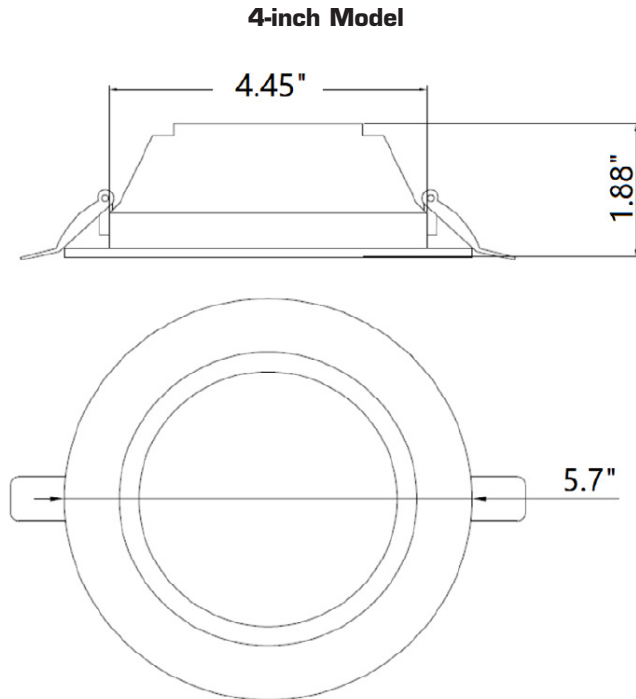
Size & Wattage: _____

- 4-9E - 4" Round 9W
- 4-11E - 4" Round 11W
- 6-11E - 6" Round 11W
- 6-14E - 6" Round 14W

Options: _____

- Standard in White Trim
- EM - Emergency Battery Backup

DIMENSIONS:



Manufactured in the USA

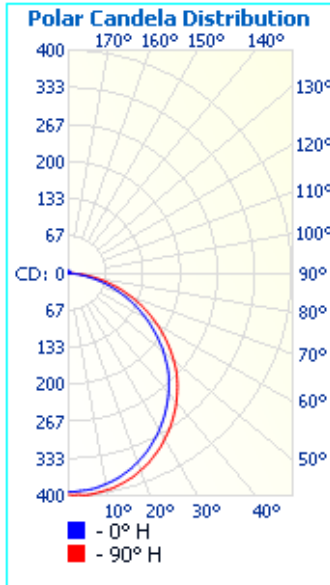
Toll Free **888-511-7780** • www.inspeXtor.com



PHOTOMETRICS:

MHTi-DL-SC-4-9E

Luminaire Output: 1,000 lumens, 9 Watts

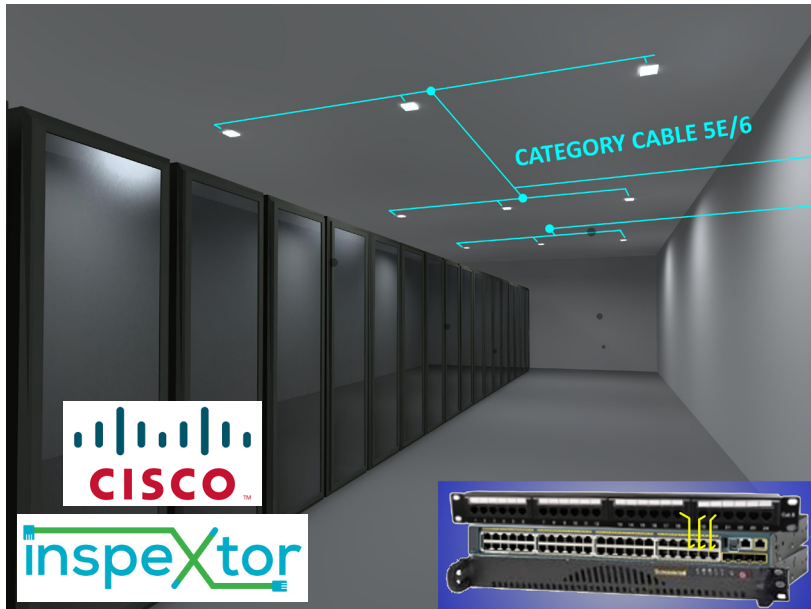


	Center Beam fc	Beam Width	
1.5ft	174 fc	4.0 ft	4.1 ft
3.0ft	43.4 fc	8.0 ft	8.2 ft
4.5ft	19.3 fc	12.0 ft	12.3 ft
6.0ft	10.9 fc	16.0 ft	16.4 ft
7.5ft	6.95 fc	20.0 ft	20.5 ft
9.0ft	4.82 fc	24.0 ft	24.5 ft

■ Vert. Spread: 106.2°
■ Horiz. Spread: 107.5°

FIXTURE PERFORMANCE:

MODEL	MAX WATTAGE	LUMEN
MHTi-DL-SC-4-9E-35K	9W	1,000
MHTi-DL-SC-4-11E-35K	11W	1,250
MHTi-DL-SC-6-11E-35K	11W	1,250
MHTi-DL-SC-6-14E-35K	14W	1,550



- All Products are ETL Listed and Assembled in ISO9000/1 Certified US Facility
- Fixtures carry a limited 5-year Warranty (See Warranty Terms and Conditions)
- Every Product is Quality Tested and Inspected Prior to Shipment
- Proudly Manufactured in the USA

SPECIFICATIONS

Housing: Die-cast Aluminum Wet Rated Housing with Stainless Steel Clips

Lens: White Polycarbonate

Electrical: Non-Integrated PoE Low Voltage Driver Node, Sensor and Emergency Battery Backup.

Warranty: 5-Year Warranty

Initial Delivered Lumens:
1,000 - 1,550 Lumens

Max Input Power: 9/11/14W

CCT: 3000K/3500K/
4000K/5000K

CRI: 80

L70 Lifetime: >50,000 Hours

Rated Lifespan: >60,000 Hours

Dimensions:

4-inch Model: 5.7" x 1.9"

6-inch Model: 7.7" x 1.9"

inspeXtor Plant Operations

1961 Richmond Terrace
Staten Island, New York 10302
Tel: (718) 524-4370
Fax: (718) 524-4390

West Coast Operations

2285 Michael Faraday Drive
Suite 10
San Diego, California 92154
Tel: (619) 661-0600

www.inspeXtor.com

888-511-7780

Rev Date: June 2019