

LED HIGH POWER DOWNLIGHT Series MHTi-DL-SC-4-S

PROJECT:

TYPE:

NOTES:

ORDERING CODE

MHTi-DL-SC

Model

Size & Wattage

CCT

Mounting

Options

EXAMPLE

MHTi-DL-SC

4-S-15E

4K

RM

EM



FEATURES

- An inspeXtor Platform Compatible Fixture Powered by Cisco using PoE (Power over Ethernet) Cabling
- The inspeXtor Platform is a PoE Lighting Management System providing Building Automation and Data Collection
- PoE Systems are Safe and Efficient Low Voltage Platforms
- LED Aluminum Square Down Light With Non-Integrated Sensor and PoE Driver Node
- Ideal for Airports, Corporate Campuses, Data Centers, Retail, and Healthcare Facilities

Series:

MHTi-DL-SC

Mounting:

RM - Recessed Ceiling Mount

Size & Wattage:

4-S-10E - 4" - Square 10W
 4-S-15E - 4" - Square 15W
 4-S-20E - 4" - Square 20W

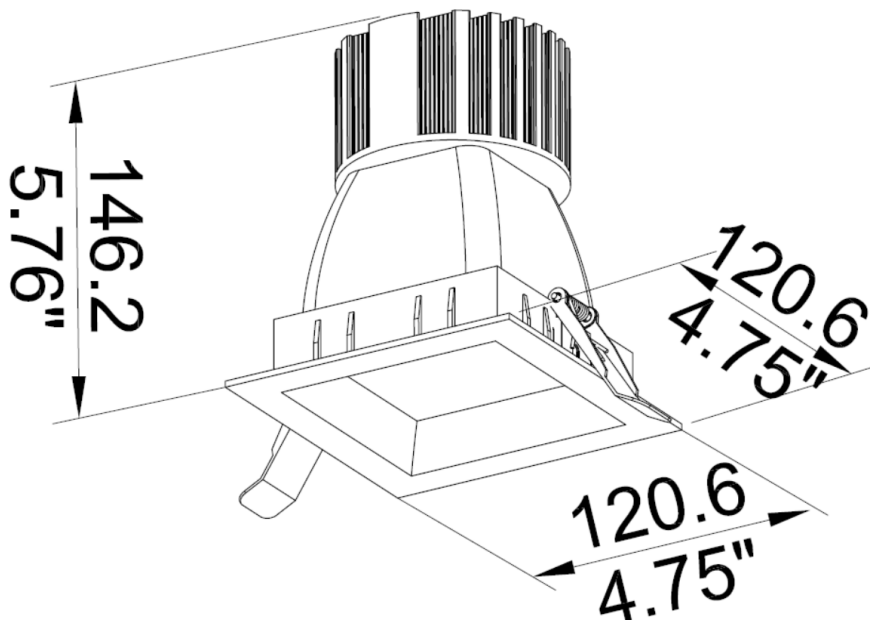
Options:

Standard in White Trim
 EM - Emergency Battery Backup

Color Temperatures:

3K - 3000K
 35K - 3500K
 4K - 4000K
 5K - 5000K

DIMENSIONS:



Manufactured in the USA

Toll Free 888-511-7780 • www.inspeXtor.com

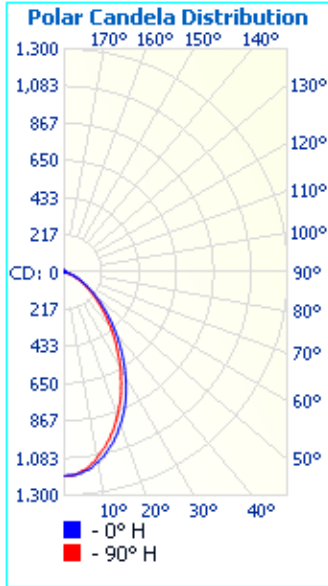


LED HIGH POWER DOWNLIGHT Series MHTi-DL-SC-4-S

PHOTOMETRICS:

MHTi-DL-SC-4-S-15E

Luminaire Output: 1,543 lumens, 15 Watts



	Center Beam fc	Beam Width	
1.5ft	529 fc	2.0 ft	2.0 ft
3.0ft	132 fc	4.0 ft	4.0 ft
4.5ft	58.8 fc	6.0 ft	6.1 ft
6.0ft	33.1 fc	8.0 ft	8.1 ft
7.5ft	21.2 fc	10.0 ft	10.1 ft
9.0ft	14.7 fc	12.1 ft	12.1 ft

■ Vert. Spread: 67.6°
■ Horiz. Spread: 67.9°

FIXTURE PERFORMANCE:

MODEL	MAX WATTAGE	LUMEN
MHTi-DL-SC-4-S-10E-35K	10W	1,000
MHTi-DL-SC-4-S-15E-35K	15W	1,500
MHTi-DL-SC-4-S-20E-35K	20W	2,000

SPECIFICATIONS

Housing: Lightweight Die-cast Aluminum Housing with Stainless Steel Spring Clips

Lens: White Polycarbonate

Beam Angle: 70°

Electrical: Non-Integrated PoE Low Voltage Driver Node, Sensor and Emergency Battery Backup.

Warranty: 5-Year Warranty

Initial Delivered Lumens: 1,000 - 2,000 Lumens

Max Input Power: 10/15/20W

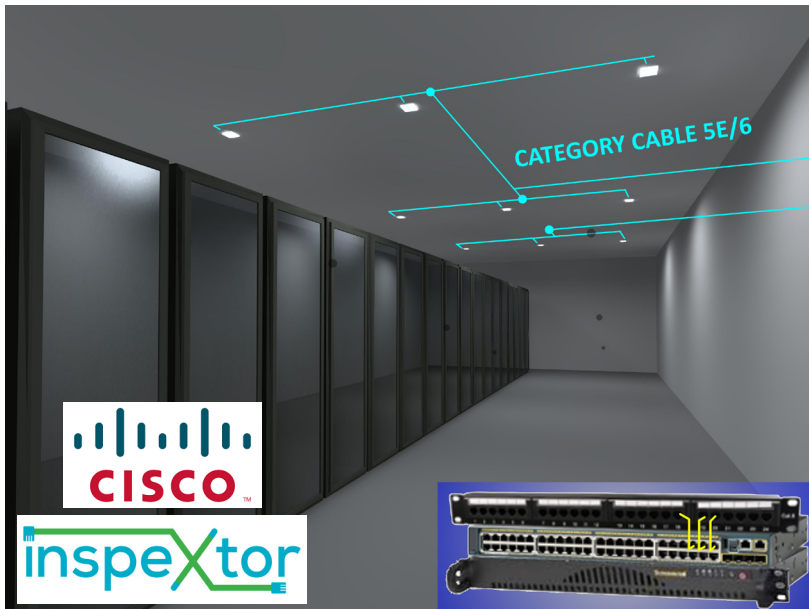
CCT: 3000K/3500K/4000K/5000K

CRI: 80

L70 Lifetime: >50,000 Hours

Rated Lifespan: >60,000 Hours

Dimensions: 4.75" x 4.75" x 5.76"



- All Products are ETL Listed and Assembled in ISO9000/1 Certified US Facility
- Fixtures carry a limited 5-year Warranty (See Warranty Terms and Conditions)
- Every Product is Quality Tested and Inspected Prior to Shipment
- Proudly Manufactured in the USA

inspeXtor Plant Operations

1961 Richmond Terrace
 Staten Island, New York 10302
 Tel: (718) 524-4370
 Fax: (718) 524-4390

West Coast Operations

2285 Michael Faraday Drive
 Suite 10
 San Diego, California 92154
 Tel: (619) 661-0600

www.inspeXtor.com

888-511-7780

Rev Date: June 2019