



PROJECT:

TYPE:

NOTES:

ORDERING CODE

MHTi-BULB-SC — [] — [] — []
 Model Wattage CCT Lens

EXAMPLE

MHTi-BULB-SC — 7E — 27K — FL

Series: _____
 MHTi-BULB-SC

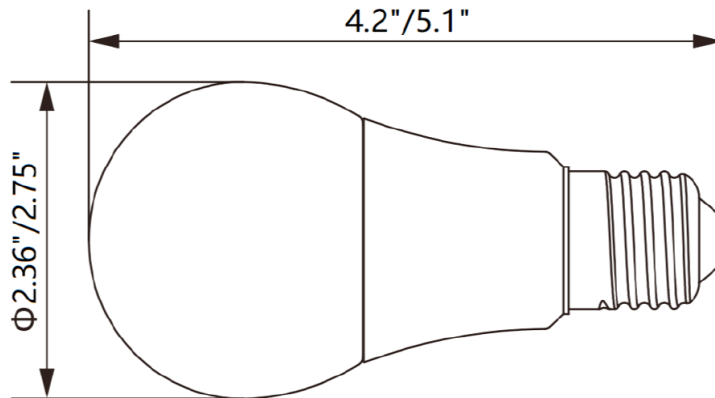
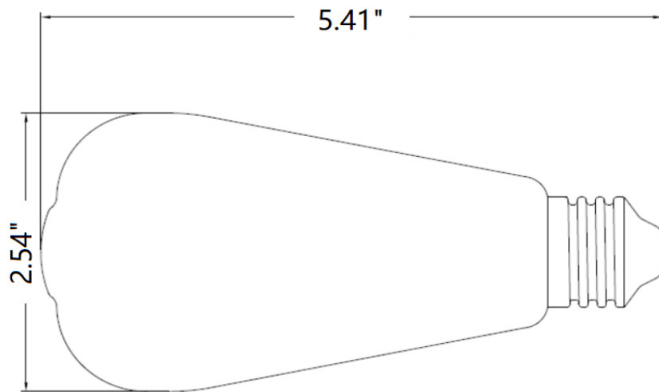
Color Temperatures: _____
 27K - 2700K

Wattage: _____
 7E - 7W (Up to 6 Bulbs per Port)
 12E - 12W (Up to 4 Bulbs Per Port)

3K - 3000K
 35K - 3500K
 4K - 4000K
 5K - 5000K

Lens: _____
 CL - Clear Glass
 FL - Frosted PC

DIMENSIONS:



FEATURES

- An inspeXtor Platform Compatible Fixture Powered by Cisco using PoE (Power over Ethernet) Cabling
- The inspeXtor Platform is a PoE Lighting Management System providing Building Automation and Data Collection
- PoE Systems are Safe and Efficient Low Voltage Platforms
- LED PoE Bulb Fixture Replacing 60W or 100W Incandescent E26 Bulbs



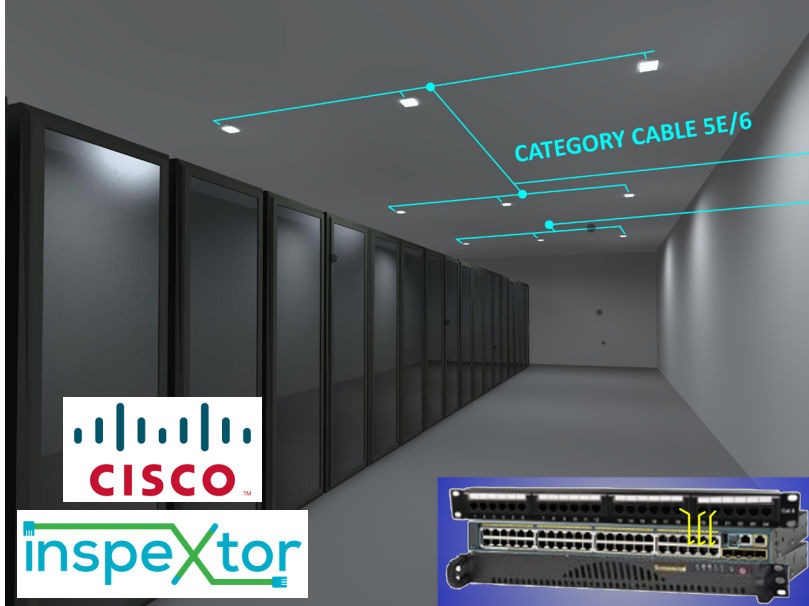
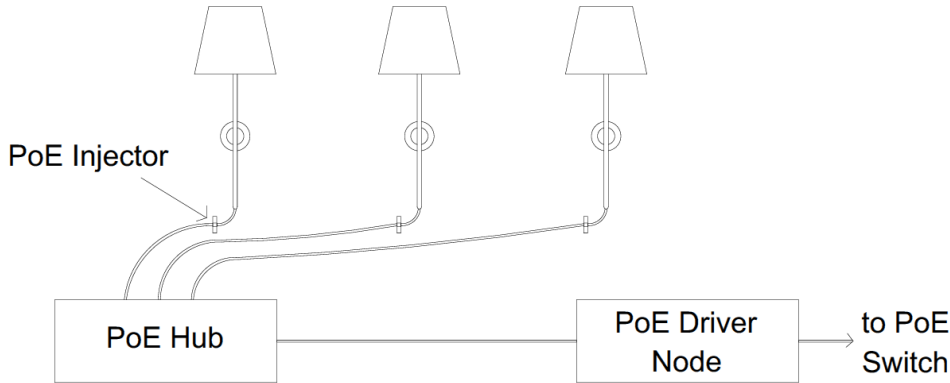
Manufactured in the USA

Toll Free 888-511-7780 • www.inspeXtor.com



FIXTURE PERFORMANCE:

MODEL	MAX WATTAGE	LUMEN
MHTi-BULB-SC-7E-3K-FL	7W	800
MHTi-BULB-SC-7E-3K-CL	7W	700
MHTi-BULB-SC-12E-3K-FL	12W	1,400



- All Products are ETL Listed and Assembled in ISO9000/1 Certified US Facility
- Fixtures carry a limited 3-year Warranty (See Warranty Terms and Conditions)
- Every Product is Quality Tested and Inspected Prior to Shipment
- Proudly Manufactured in the USA

SPECIFICATIONS

Housing: Durable White Polycarbonate Housing and Lens or Filament LED and Clear Glass Construction

Electrical: Non-Integrated PoE Low Voltage Driver Node, Sensor, Emergency Battery Backup.

Warranty: 3-Year Warranty

Initial Delivered Lumens:
700 - 1,400 Lumens

Max Input Power: 7W/12W

CCT: 2700K/3000K/3500K/4000K/5000K

CRI: 80

L70 Lifetime: >50,000 Hours

Rated Lifespan: >50,000 Hours

Dimensions:

7W Frosted - 2.36" x 4.2"

7W Clear - 2.54" x 5.41"

12W Frosted - 2.75" x 5.1"

inspeXtor Plant Operations

1961 Richmond Terrace
Staten Island, New York 10302
Tel: (718) 524-4370
Fax: (718) 524-4390

West Coast Operations

2285 Michael Faraday Drive
Suite 10
San Diego, California 92154
Tel: (619) 661-0600

www.inspeXtor.com

888-511-7780

Rev Date: June 2019