

LED HIGH/LOW BAY

MHTL-HLB-CC SERIES

Project _____

Part Number _____

Quantity _____



APPLICATIONS

- Data Center
- Distribution Center
- Gymnasium



FEATURES

- >100,000 Hours Rated Lifespan
- 10-year Warranty
- L70 > 64,000 Hours
- Die Cast Aluminum Housing (Matte White)
- Highly Efficient Die Cast Aluminum Heat Sink
- Frosted Finished PC Lens - Glare Free & Impact Resistance
- Isolated Driver and Wiring Compartments
- Wide Spread Optics for High/Low Bay Applications
- Standard Hook or 3/4" Pendant Mount
- Fixture Protection Class IP65
- Ambient Temperature -30 to 120 °F



LED/DRIVER

- Universal Input Voltage 120 - 277V
- Optional Input Voltage 347V/480V
- Operating Frequency 50Hz/60Hz
- Power Factor > 0.95 @277V
- THD < 10% @277V; CRI > 75
- Color Temperature 3500K/4000K/5000K
- 0-10V Dimming Driver
- 6kV Line to Line Surge Protection

Model	Input Power	Lm/W	Lumen	Dimensions
MHTL-HLB-CC-95E-35K-U	95W	119	11,000	Ø16" x 15.2"
MHTL-HLB-CC-115E-35K-U	115W	118	13,200	Ø16" x 15.2"
MHTL-HLB-CC-150E-35K-U	150W	114	16,700	Ø16" x 15.2"



Manufactured in the USA

Toll Free **888-511-7780** • www.mhtlighting.com



LED HIGH/LOW BAY

MHTL-HLB-CC SERIES

Project _____
 Part Number _____
 Quantity _____

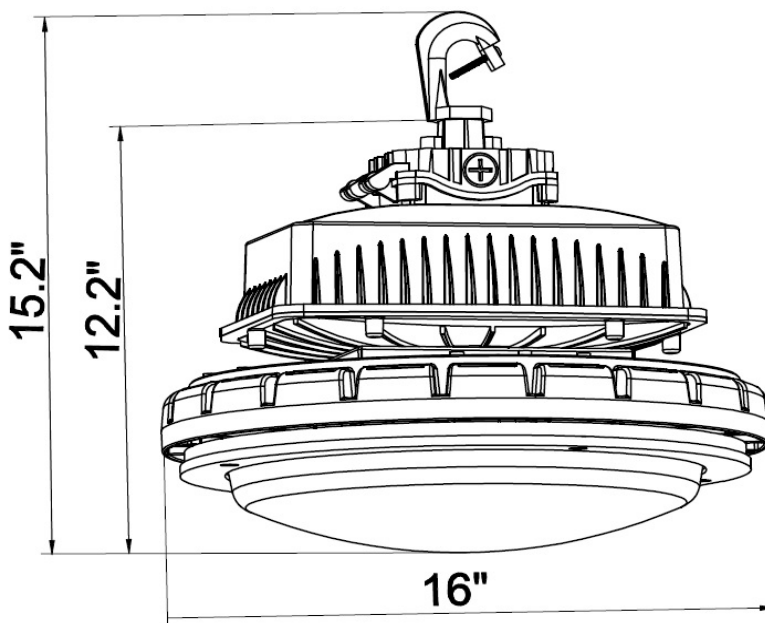
ORDERING CODES

MHTL-HLB-CC	<u> </u> E	<u> </u>	<u> </u>	<u> </u>	<u> </u>
-------------	---------------	-------------	-------------	-------------	-------------

<u>Wattage:</u>	<u>Color Temp:</u>	<u>Input Voltage:</u>	<u>Mounting:</u>	<u>Option:</u>
95,	35K=3500K	U=120-277V	PM=Pendant	(Standard in Matte White)
115,	4K=4000K	347=347V	(Fits 3/4")	WG=Wire Guard
150	5K=5000K	480=480V		CP=Cord & Plug (Specify Cord & Plug)
				AC=Custom Length Aircraft Cable
				OS-On/Off=On/Off Only Motion Sensor
				OS-Dim=Dimming and On/Off Motion Sensor (See "Smart" Series Spec Sheet for Details)

All Models in 3500K are DLC Listed Product

DIMENSIONS



- MHT Products are ETL Listed and Assembled in ISO9000/1 Certified US Facility
- MHT Lighting Offers a 10-year Warranty (See Warranty Terms and Conditions)
- Every Product is Quality Tested and Inspected Prior to Shipment
- Proudly Manufactured in the USA.
- For Product IES Files Please Contact Your Local Reps

MHT Plant Operations
 1961 Richmond Terrace
 Staten Island, New York 10302
 Tel: (718) 524-4370
 Fax: (718) 524-4390

West Coast Operations
 2285 Michael Faraday Dr. Suite 10
 San Diego, California 92154
 Tel: (619) 661-0600

www.mhtlighting.com
888-511-7780

MHT Confidential
 Rev Date: December 2017