



LED ROUND CANOPY

MHTL-RCL SERIES

FEATURES

- Available Integrated Emergency Battery Backup
- Available Integrated Occupancy Sensor
- Available Quick Surface Mount Bracket
- 0-10V Dimming Driver
- 4kV Surge Protection

GENERAL INFORMATION

Applications	Canopy / Parking Garage / Walkway
Warranty	10-Year Warranty
Construction	Die Cast Aluminum Housing (Dark Bronze) Prismatic PC Lens - Glare Free & Impact Resistant

Certifications



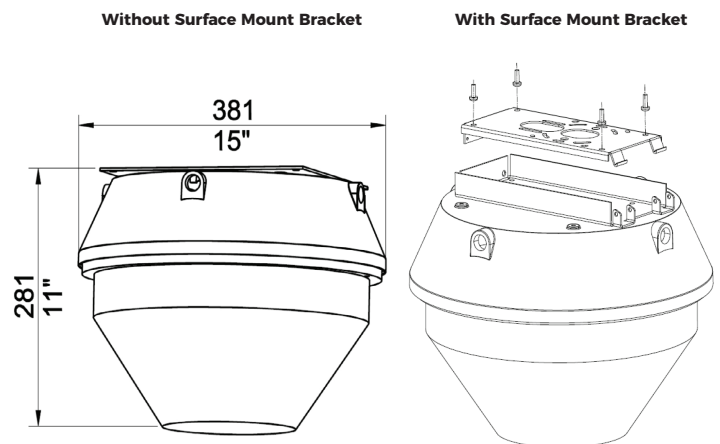
PRODUCT DATA

Universal Input Voltage	120 - 277V
Optional Input Voltage	347V/480V
Power Factor	> 0.90 @277V
Mounting	Surface Mount or Pendant Mount
Lumens	9,000 Lumens
Max Input Power	60W
CRI	> 75
CCT	3000K/3500K/4000K/5000K
L85 Lifetime	> 170,000 Hours
Rated Lifespan	> 100,000 Hours
THD	< 10% @277V

ORDERING INFO: Sample Code - MHTL-RCL-48E-3K-U-PM-OS

Series	Color Temperatures	Input Voltage	Mountings	Options
MHTL-RCL-48E				
MHTL-RCL-48E	3K=3000K 35K=3500K 4K=4000K 5K=5000K	U=120-277V 347=347V 480=480V	PM=3/4" Pendant Mount SM=Surface Mount Bracket	(Blank) - Standard in Dark Bronze EB=Emergency Battery Backup SPD=20kV Surge Protective Device OS=Occupancy Sensor (Microwave)

DIMENSIONS



- Standard Surface Mount without Bracket and Ready for 3/4" Pendant
- Optional Surface Mount Bracket
- Standard 1ft. Cord From the Top Side

FIXTURE PERFORMANCE

Model	Input Power	CCT	Lm/W	Lumens	Dimensions
MHTL-RCL-48E-4K-U	48W	4000K	105	5,000	Ø15" x 11"