



mhtlighting
illuminating PoE technology



LED ROUND GARAGE

MHTL-RCL-PRM SERIES

FEATURES

- Fixture Protection Class IP65
- Available Integrated Microwave Motion Sensor
- Highly Efficient LED Driver and Nichia LEDs
- Surge Protection

GENERAL INFORMATION

Applications Canopy / Parking Garage / Manufacturing/Warehouse / Walkway

Warranty 10-Year Warranty

Construction ADC12 Die Cast Aluminum Housing (White)
Low Glare Frosted Polycarbonate Drop Lens
Low Profiled Design - 4.5" Overall Height

Certifications



PRODUCT DATA

Universal Input Voltage 120 - 277V

Optional Input Voltage ????

Power Factor > 0.90 @277V

Mounting Surface Mount OR 3/4" Pendant

Lumens 9,000 Lumens

Max Input Power 60W

CRI > 84

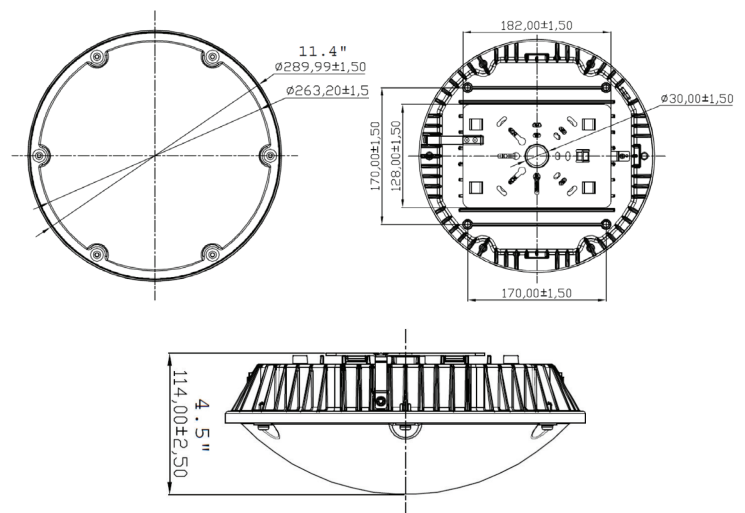
CCT 4000K/5000K

L70 Lifetime > 100,000 Hours

Rated Lifespan > 100,000 Hours

THD < 17% @277V

DIMENSIONS



- Standard with Surface Mount Bracket and Ready for 3/4" Pendant
- Standard 1ft. Power Cable From the Top Side

FIXTURE PERFORMANCE

Model	Input Power	CCT	Lm/W	Lumens	Dimensions
MHTL-RCL-PRM-40E-4K-U	40W	4000K	135	5,400	Ø11.4" x 4.5"
MHTL-RCL-PRM-40E-5K-U	40W	5000K	135	5,400	Ø11.4" x 4.5"
MHTL-RCL-PRM-60E-4K-U	60W	4000K	150	9,000	Ø11.4" x 4.5"
MHTL-RCL-PRM-60E-5K-U	60W	5000K	150	9,000	Ø11.4" x 4.5"

ORDERING INFO: Sample Code - MHTL-RCL-PRM-40-3K-U-SM

Series	Wattage	Color Temperatures	Input Voltage	Mountings	Options
MHTL-RCL-PRM					
MHTL-RCL-PRM	40 60	3K=3000K 35K=3500K 4K=4000K 5K=5000K	U=120-277V 347=347V 480=480V	SM=Surface Mount PM=3/4" Pendant	(Blank) - Standard in Matte White DB=1-10V Dimming Driver SPD=20kV Surge Protective Device OS-On/Off=On/Off Motion Sensor OS-Dim=Dimming Motion Sensor (Microwave Sensor)