



mhtlighting
illuminating PoE technology



MHTL-LPCL

LED LOW PROFILE CANOPY SERIES

FEATURES

- High Performance Reflector
- Wide Spread Distribution - Low Glare
- Available Surge Protective Device
- IP65 Wet Location
- 4kV Surge Protection
- 0-10V Dimming Driver

GENERAL INFORMATION

Applications Canopy / Gas Station / Parking Garage / Walkway

Warranty 10-Year Warranty

Construction Die Cast Aluminum Housing (White)
Prismatic Polycarbonate Lens - Impact Resistant

Certifications



PRODUCT DATA

Universal Input Voltage 120 - 277V

Optional Input Voltage 347V/480V

Power Factor > 0.95 @277V

Mounting Surface Mount OR 3/4" Pendant

Lumens 13,000 Lumens

Max Input Power 100W

CRI > 75

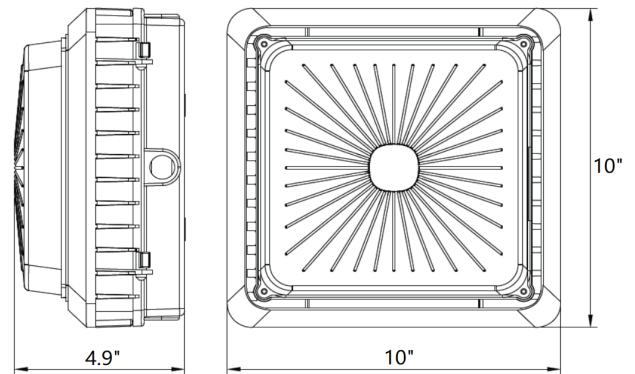
CCT 4000K/5000K

L70 Lifetime > 100,000 Hours

Rated Lifespan > 100,000 Hours

THD < 15% @277V

DIMENSIONS



FIXTURE PERFORMANCE

Model	Input Power	CCT	Lm/W	Lumens	Dimensions
MHTL-LPCL-55E-5K-U	55W	4000K	130	7,100	10" x 10" x 4.9"
MHTL-LPCL-75E-5K-U	75W	4000K	130	9,700	10" x 10" x 4.9"
MHTL-LPCL-100E-5K-U	100W	4000K	130	13,000	10" x 10" x 4.9"

ORDERING INFO: Sample Code - MHTL-LPCL-55-4K-U-PM

Series	Wattage	Color Temperatures	Input Voltage	Mountings	Options
MHTL-LPCL					
MHTL-LPCL	55 75 100	4K=4000K 5K=5000K	U=120-277V	PM=Pendant Mount SM=Surface Mount	(Blank) - Standard in White SPD=Surge Device