



# mhtlighting

illuminating PoE technology

## MHTL-FLD1

### LED FLOOD LIGHT SERIES

#### FEATURES

- Light Distribution - NEMA Flood 6 X 6
- Fixture Protection Class IP65
- Available in Slip Fitter, Swivel, Knuckle Mounts
- Meets DLC V4.2 Standards
- 0-10V Dimming Driver
- 6kV Surge Protection

#### GENERAL INFORMATION

Applications Building Exterior / Loading Dock / Security Lighting / Walkway

Warranty 10-Year Warranty

Construction Die Cast Aluminum Housing (Dark Bronze)  
Anodized Aluminum Reflector  
Flat Clear Tempered Glass Lens

Certifications



#### PRODUCT DATA

Universal Input Voltage 120 - 277V

Optional Input Voltage 347V/480V

Power Factor > 0.99 @120V

Mounting Multiple Mounting Options

Lumens 15,000 Lumens

Max Input Power 120W

CRI > 80

CCT 3000K/4000K/5000K

L90 > 100,000 Hours

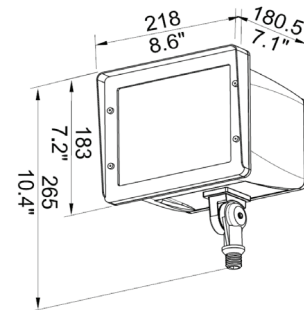
Rated Lifespan > 100,000 Hours

THD < 10% @120V

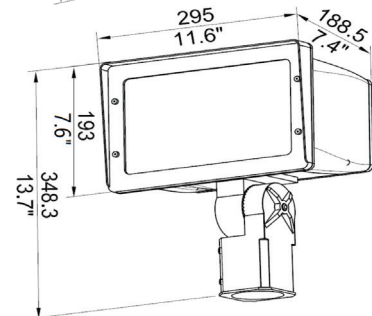


#### DIMENSIONS

30W, 45W, 60W



90W, 120W



1 ft. Leads/Cord is Included

#### FIXTURE PERFORMANCE

Model	Input Power	Lumens	Dimensions	EPA at 0° (ft²)
MHTL-FLD1-30E-4K-U	30W	3,800	8.6" x 7.2" x 7.1"	0.6
MHTL-FLD1-45E-4K-U	45W	5,700	8.6" x 7.2" x 7.1"	0.6
MHTL-FLD1-60E-4K-U	60W	7,500	8.6" x 7.2" x 7.1"	0.6
MHTL-FLD1-90E-4K-U	90W	11,500	11.6" x 7.6" x 7.4"	0.8
MHTL-FLD1-120E-4K-U	120W	15,000	11.6" x 7.6" x 7.4"	0.8

#### ORDERING INFO: Sample Code - MHTL-FLD1-30-3K-U-SF-SPD

Series	Wattage	Color Temperatures	Input Voltage	Mounting	Options
MHTL-FLD1					
MHTL-FLD1	30 45 60 90 120	3K=3000K 4K=4000K 5K=5000K	U=120-277V 347=347V 480=480V	SF=Slip Fitter SW=Swivel Mount KM=Knuckle Mount	(Blank) - Standard in Dark Bronze SPD=20kV Surge Protective Device