



mhtlighting

illuminating PoE technology



MHTL-WPAH

LED ARCHITECTURAL WALLPACK SERIES

FEATURES

- Type III or Type IV Distribution
- Fixture Protection Class IP65
- Available Integrated Emergency Battery Backup
- 0-10V Dimming Driver
- 6kV Surge Protection

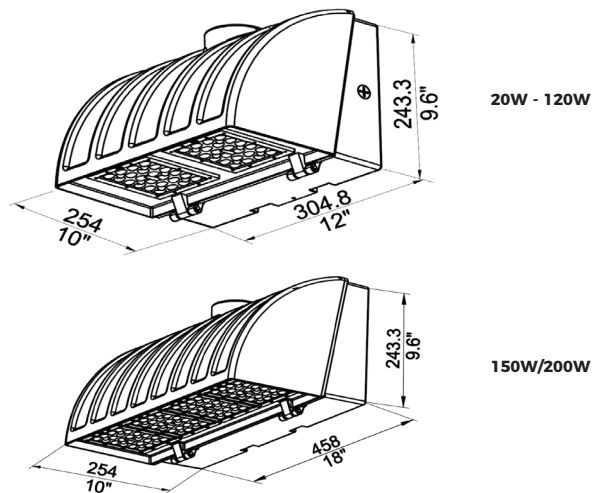
GENERAL INFORMATION

Applications	Building Exterior / Parking Garage / Security Lighting / Walkway
Warranty	10-Year Warranty
Construction	Die Cast Aluminum Housing (Bronze) Standard Borosilicate Class Lens - Low Glare
Certifications	   

PRODUCT DATA

Universal Input Voltage	120 - 277V
Optional Input Voltage	347V/480V
Power Factor	> 0.96 @277V
Mounting	Wall Mount Bracket
Lumens	>24,000 Lumens
Max Input Power	200W
CRI	> 75
CCT	3000K/3500K/4000K/5000K
L80	> 100,000 Hours (200W)
Rated Lifespan	> 100,000 Hours
THD	< 15% @277V

DIMENSIONS



- Standard 1ft Cord/Leads From the Back

FIXTURE PERFORMANCE

Model	Input Power	Lumens	CCT	Dimensions
MHTL-WPAH-20E-4K-U	20W	>2,300	4000K	11.5" x 10" x 9.6"
MHTL-WPAH-60E-4K-U	60W	>6,900	4000K	11.5" x 10" x 9.6"
MHTL-WPAH-72E-4K-U	72W	>8,200	4000K	11.5" x 10" x 9.6"
MHTL-WPAH-100E-4K-U	100W	>11,500	4000K	11.5" x 10" x 9.6"
MHTL-WPAH-120E-4K-U	120W	>14,000	4000K	11.5" x 10" x 9.6"
MHTL-WPAH-150E-4K-U	150W	>18,000	4000K	18" x 10" x 9.6"
MHTL-WPAH-200E-4K-U	200W	>24,000	4000K	18" x 10" x 9.6"

ORDERING INFO: Sample Code - MHTL-WPAH-60-3k-U-T3-SPD

Series	Wattage	Color Temperatures	Input Voltage	Distribution	Options
MHTL-WPAH					
MHTL-WPAH	20 60 72 100 120 150 200	3K=3000K 35K=3500K 4K=4000K 5K=5000K	U=120-277V 347=347V 480=480V	T3=Type III T4=Type IV	(Blank) - Standard in Bronze SPD=Surge Protective Device