



## MHTL-HLB-CC

### LED HIGH/LOW BAY SERIES

#### FEATURES

- Isolated Driver and Wiring Compartments
- Wide Spread Optics for High/Low Bay Applications
- Fixture Protection Class IP65
- Ambient Temperature -30 to 120 °F
- 0-10V Dimming Driver
- 6kV Line to Line Surge Protection

#### GENERAL INFORMATION

Applications	Data Center / Distribution Center / Gymnasium
Warranty	5-year Warranty
Construction	Die Cast Aluminum Housing (Matte White) Highly Efficient Die Cast Aluminum Heat Sink Frosted Finished PC Lens - Glare Free & Impact Resistance

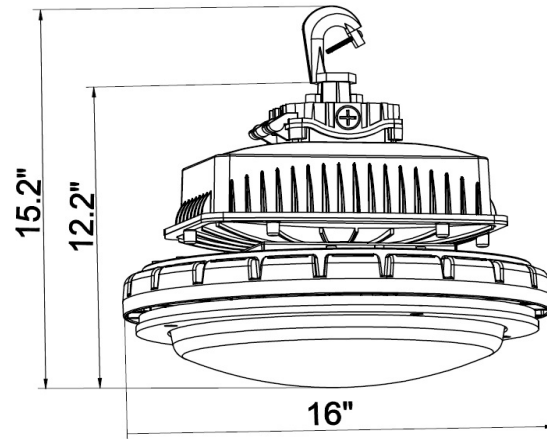
#### Certifications



#### PRODUCT DATA

Universal Input Voltage	120 - 277V
Optional Input Voltage	347V/480V
Power Factor	> 0.95 @277V
Mounting	Standard Hook or 3/4" Pendant Mount
Lumens	16,700
Max Input Power	150W
CRI	> 75
CCT	3500K/4000K/5000K
L70	> 64,000 Hours
Rated Lifespan	> 100,000 Hours
THD	< 10% @277V; CRI > 75

#### DIMENSIONS



#### FIXTURE PERFORMANCE

Model	Input Power	Lm/W	Lumen	Dimensions
MHTL-HLB-CC-95E-35K-U	95W	119	11,000	Ø16" x 15.2"
MHTL-HLB-CC-115E-35K-U	115W	118	13,200	Ø16" x 15.2"
MHTL-HLB-CC-150E-35K-U	150W	114	16,700	Ø16" x 15.2"

#### ORDERING INFO: Sample Code - MHTL-HLB-CC

Series	Wattage	Color Temperature	Input Voltage	Mounting	Options
MHTL-HLB-CC					
MHTL-HLB-CC	95 115 150	35K=3500K 4K=4000K 5K=5000K	U=120-277V 347=347V 480=480V	PM=Pendant (Fits 3/4")	(Blank) - Standard in Matte White WG=Wire Guard CP=Cord & Plug (Specify Cord & Plug) AC=Custom Length Aircraft Cable OS-On/Off=On/Off Only Motion Sensor OS-Dim=Dimming and On/Off Motion Sensor (See "Smart" Series Spec Sheet for Details)