



mhtlighting
illuminating PoE technology



MHTL-STRP-ECO

LED STRIP FIXTURE SERIES

FEATURES

- 1/2" Knock-out On the Sides and the Back
- Optional Integrated Emergency Battery Backup
- Standard 4kV Surge Protection
- 0-10V Dimmable Driver

GENERAL INFORMATION

Applications Education and Retail / Healthcare / Office / Parking Garage / Stairwell and Passageway

Warranty 10-Year Warranty

Construction 0.8mm Die-form Steel Housing (White)
Frosted Finish Acrylic Lens
Highly Reflective White Coating

Certifications



PRODUCT DATA

Universal Input Voltage 120 - 277V

Optional Input Voltage 347V/480V

Power Factor > 0.90 @277V

Mounting Standard Surface Mount Ready

Lumens 12,000 Lumens

Max Input Power 90W

CRI > 80

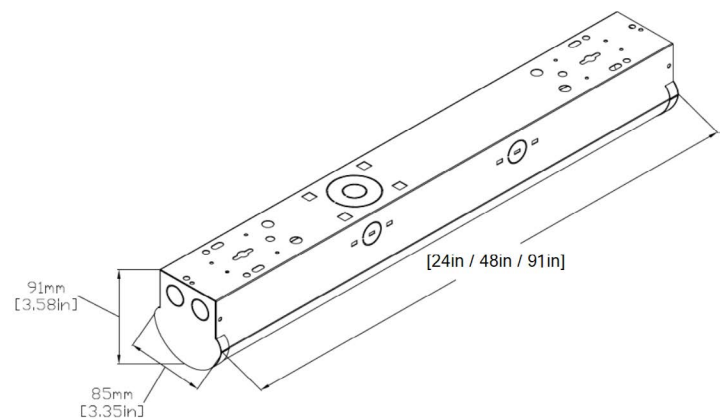
CCT 4000K/5000K

L70 > 75,000 Hours

Rated Lifespan > 100,000 Hours

THD < 20% @ 277V

DIMENSIONS



FIXTURE PERFORMANCE

Model	Input Power	Color Temp	Lu-mens	Dimensions
MHTL-STRP-ECO-2FT-20E-4K-U	20W	4000K	2,600	24" x 3.35" x 3.58"
MHTL-STRP-ECO-2FT-35E-4K-U	35W	4000K	4,500	24" x 3.35" x 3.58"
MHTL-STRP-ECO-2FT-45E-4K-U	45W	4000K	5,700	24" x 3.35" x 3.58"
MHTL-STRP-ECO-4FT-40E-4K-U	40W	4000K	5,000	48" x 3.35" x 3.58"
MHTL-STRP-ECO-8FT-70E-4K-U	70W	4000K	9,200	91" x 3.35" x 3.58"
MHTL-STRP-ECO-8FT-90E-4K-U	90W	4000K	12,000	91" x 3.35" x 3.58"

ORDERING INFO: Sample Code - MHTL-STRP-ECO-2FT-20E-4K-U-SM

Series	Size & Wattage	Color Temperatures	Input Voltage	Mounting	Options
MHTL-STRP-ECO	E				
MHTL-STRP-ECO	2FT-20; 2FT-35; 2FT-45; 4FT-40; 4FT-72; 4FT-88; 8FT-45; 8FT-70; 8FT-90	4K=4000K 5K=5000K	U=120-277V 347=347V 480=480V	SM=Surface CM=Chain Ready	(Blank) - Standard in White EB=Emergency Battery Backup OS-On/Off=On/Off Motion Sensor OS-Dim=Dimming Motion Sensor