



MHTL-STRP

LED STRIP FIXTURE SERIES

FEATURES

- 1/2" Knock-out On the Sides and the Back
- Optional Occupancy Sensor
- Optional Emergency Battery Backup
- Standard 4kV Surge Protection
- 0-10V Dimmable Driver

GENERAL INFORMATION

Applications	Education and Retail / Healthcare / Office / Parking Garage / Stairwell and Passageway
Warranty	10-Year Warranty
Construction	Lightweight Aluminum Extrusion Housing (White) Prismatic Acrylic Lens Highly Reflective White Coating

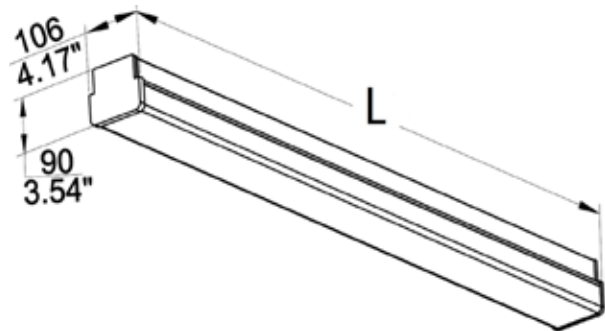
Certifications



PRODUCT DATA

Universal Input Voltage	120 - 277V
Optional Input Voltage	347V/480V
Power Factor	> 0.98 @120V
Mounting	Multiple Mounting Options
Lumens	12,000 Lumens
Max Input Power	90W
CRI	> 81
CCT	4000K/5000K
L70	> 75,000 Hours
Rated Lifespan	> 100,000 Hours
THD	< 9% @ 120V

DIMENSIONS



inch (mm)

Model	L	W	H
MHTL-STRP-2FT	24 (610)	4.17 (106)	3.54 (90)
MHTL-STRP-4FT	48 (1219)		
MHTL-STRP-8FT	96 (2438)		

FIXTURE PERFORMANCE

Model	Input Power	Color Temp	Lumens	Dimensions
MHTL-STRP-2FT-25E-4K-U	25W	4000K	2,600	24" x 4.17" x 3.54"
MHTL-STRP-4FT-40E-4K-U	40W	4000K	4,200	48" x 4.17" x 3.54"
MHTL-STRP-8FT-75E-4K-U	75W	4000K	7,900	96" x 4.17" x 3.54"

ORDERING INFO: Sample Code - MHTL-STRP-ECO-2FT-20E-4K-U-SM

Series	Size & Wattage	Color Temperatures	Input Voltage	Mounting	Options
MHTL-STRP	E				
MHTL-STRP	2FT-25 4FT-40 8FT-75	4K=4000K 5K=5000K	U=120-277V 347=347V 480=480V	SM=Surface PM=Pendant CM=Chain Ready	(Standard in Matte White) AC=Adjustable Aircraft Cable (Standard 3ft) EB=Emergency Battery Backup SPD=Surge Protective Device OS-On/Off=On/Off Only Motion Sensor OS-Dim=Dimming & On/Off Motion Sensor (See "Integrated Control" Series for Details)