



RVLT-ISB

LED HIGH/LOW BAY SERIES

FEATURES

- Excellent Thermal Management
- >120° Beam Angle
- 0-10V Dimming Driver

GENERAL INFORMATION

Applications Factory Floors, Food Processing, Gymnasiums, Industrial Facilities, Mechanical Facilities, Recreation Centers, Supermarkets, Workshops, Warehouses

Warranty 10-year Warranty

Construction Heavy Duty Cold-formed Steel Diffuser
Powder Coated in White Finish In and Out
• Light Diffusing Prismatic Acrylic Drop Lens
• Superior Uniformity and Low Glare Illumination

Certifications



PRODUCT DATA

Universal Input Voltage 120 - 277V

Optional Input Voltage ???

Power Factor > 0.94 @277V

Mounting Hook Mount or 3/4" Pendant Mount

Lumens 18,200

Max Input Power 150W

CRI > 81

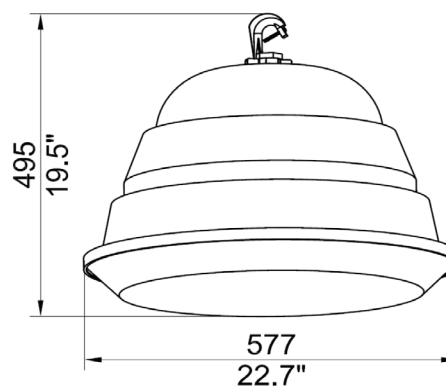
CCT 4000K or 5000K

L70 > 100,000 Hours

Rated Lifespan ???

THD ???

DIMENSIONS



FIXTURE PERFORMANCE

Model	Input Power	Lm/W	Lumen	Color Temperature
RVLT-ISB-100-5K-U	100W	128	12,800	5000K
VLT-ISB-150-5K-U	150W	127	18,200	5000K

ORDERING INFO: Sample Code - RVLT-ISB-

Series	Wattage	Color Temperature	Input Voltage	Mounting	Options
RVLT-ISB					
RVLT-ISB	100 150	4K=4000K 5K=5000K	U=120-277V	HM=Hook PM=Pendant	(Blank) - Standard Sensor Time Delay 5 Minutes OS-On/Off=On/Off Only Motion Sensor OS-Dim=Dimming Only Motion Sensor (50% Default) CP=Cord & Plug (Specify, Std 3ft Cord & No Plug) SPD=Surge Protective Device WG=Wire Guard