



Self-Ballasted Lamps SBL Series

Project: _____
 Part Number: _____
 Quantity: _____



APPLICATIONS

- RETROFITS
 - Acorns
 - Decorative Fixtures
 - Bollards

FEATURES

- 30,000 Hour Lifespan (IESNA)
- 3 Year or 15,000 Hour Warranty
- E26 Base (12-18W), 40W in E26 or E39 “mogul” Base
- 12-18W Recommended “Base Down” only usage
- 40W can be Base Up/Down—Please Specify
- Ambient Temp Range: -0 to 120 deg F

LAMP/GENERATOR

- 120v (12-18W), 40W available in 120-277v
- Power Factor > 0.95, Operation Frequency 50-60Hz
- Instant-On, Flicker Free, Minimum Light Loss
- 12W—18W Spherical and 40W Tubular Lamp Design
- Color Temps Available: 3000K—5000K
- CRI > 85—Excellent Color Rendition



Ball Type Self-ballasted Induction Lamp 12W-23W

Round Tubular Self-ballasted Induction Lamp 40W

Product #	Wattage	Replaces	Lm/W	Lumens	Voltage	Current (A)	Input Power
MHT-SBL-12E	12	60W Inc	62.5	750	120	0.22	13W
MHT-SBL-15E	15	75W Inc	62.5	938	120	0.28	16W
MHT-SBL-23E	18	120W Inc	62.5	1,125	120	0.42	19W
MHT-SBL-40E	40	150W Inc	72.5	2,900	120/220/240	0.17 - 0.39	42W



Self-Ballasted Lamps SBL Series

Project: _____
Part Number: _____
Quantity: _____

ORDERING CODES

MHT-SBL - E -

Wattage:
12, 15, 18, 40

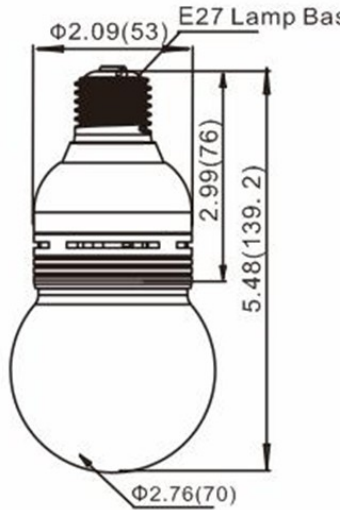
Color Temp:
3K = 3000K
4K = 4000K
5K = 5000K

Voltage:
specify

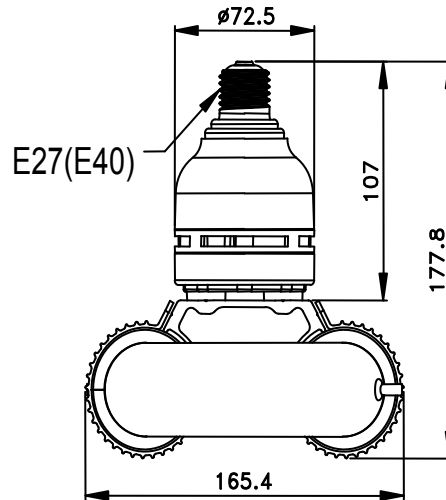
Base:
UP = Base Up
DN = Base Down

DIMENSIONS

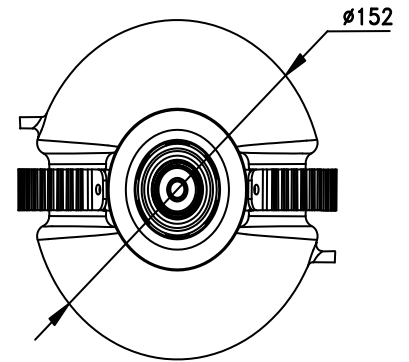
LAMP DIMENSIONS



Self Ballasted
12, 15, 18W Ball-Type
Base Down Only



Self Ballasted
40W Round Tubular
Specify Base Up/Down



MHT Plant Operations
1961 Richmond Terrace
Staten Island, NY 10302
Ph: (718) 524-4370, Fx: (718) 524-4390

West Coast Operations
2285 Michael Faraday Dr, Ste 15
San Diego, CA 92154
Ph: (619) 661-0600, Fx: (619) 661-0607