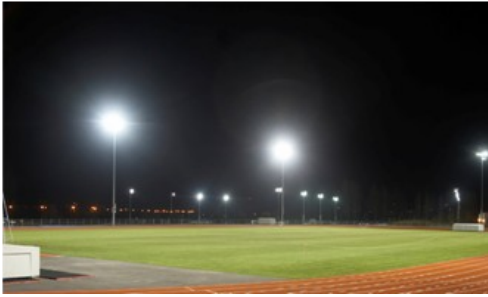




Flood Lighting Fixtures FLD SERIES

Project: _____
 Part Number: _____
 Quantity: _____



APPLICATIONS

- Parks
- Pools
- Parking Lots
- Garage/Security
- Area Lighting

FEATURES

- 100,000 Hour Lifespan (IESNA)
- 10 Year or 60,000 Hour Warranty
- High Pressure Die-casted, Powder Coated Aluminum Housing
- Clear Tempered Glass Lens
- Adjustable "U" Bracket Mounted
- Ambient Temp Range: -30 to 120 deg F



LAMP/GENERATOR

- 120-277V Universal Electronic Ballast
- Available 0-10V Dimmability, 2-way Communication
- Power Factor > 0.95, Operation Frequency 50-60Hz
- Instant-On, Flicker Free, Minimum Light Loss
- 70W—150W Square Tubular Lamp Design
- Color Temps Available: 3000K—5000K
- CRI > 85—Excellent Color Rendition



FLD-150 includes remote mounted ballast

| Product # | Wattage | Replaces | Lm/W | Lumens | IP Rating | Size | Lens |
|--------------|---------|-------------------------|------|--------|-----------|---------|----------------|
| MHT-FLD-70E | 70 | MH - 120W HPS - 150W | 72.5 | 5,075 | 65 | 16"x16" | Tempered Glass |
| MHT-FLD-80E | 80 | MH - 150W HPS - 150W | 77.5 | 6,200 | 65 | 16"x16" | Tempered Glass |
| MHT-FLD-100E | 100 | MH - 200W HPS - 200W | 77.5 | 7,750 | 65 | 16"x16" | Tempered Glass |
| MHT-FLD-150E | 150 | MH - 250W HPS - 300W | 82.5 | 12,375 | 65 | 23"x15" | Tempered Glass |

* Other Wattages Available Upon Request

Available Options:

- Dimmable Ballast
- Photocell
- Specify UP or DOWN Lighting



Flood Lighting Fixtures FLD SERIES

Project: _____
 Part Number: _____
 Quantity: _____

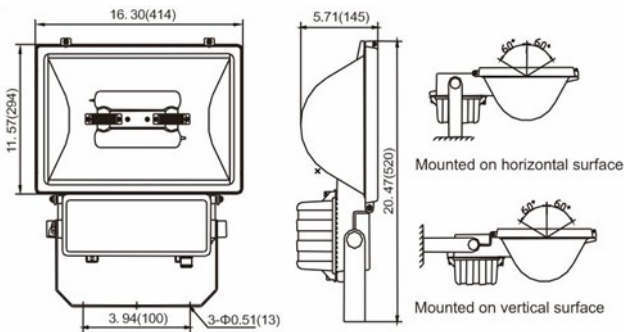
ORDERING CODES

MHT-FLD - E - - - - - -

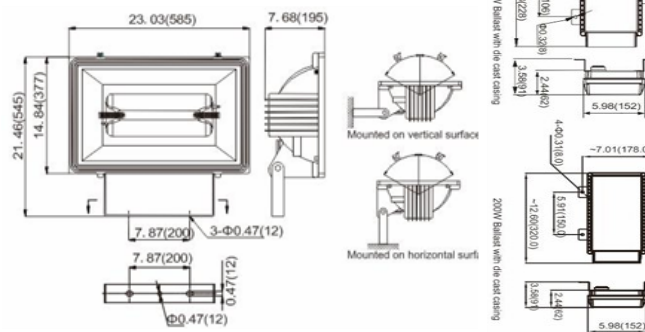
Wattage: 70, 80, 100, 150
Color Temp: 3K = 3000K, 4K = 4000K, 5K = 5000K
Voltage: U = Univ, 3 = 347V
 UL = Up, DL = Down Lighting
Dimmable Ballast: DB
Options: PC = Photocell

DIMENSIONS

MHT-FLD-70/80/100E

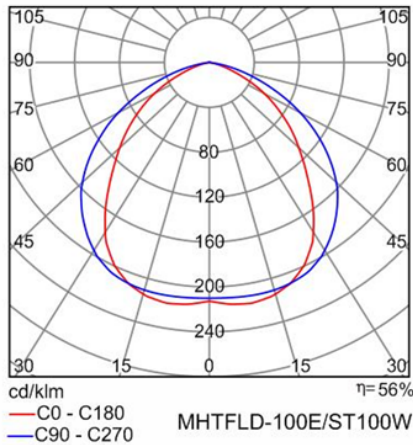


MHT-FLD-150E

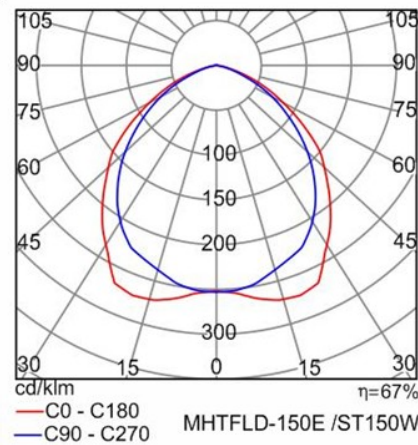


SAMPLE PHOTOMETRICS

MHT-FLD-100E



MHT-FLD-150E



- MHT Products are UL Listed/Labeled and Assembled in ISO9000/1 Certified US Facility
- Every product is quality tested and inspected prior to shipment
- MHT Lighting offers a 10-year, 60,000 hour Warranty (please see Warranty Terms and Conditions)
- Made in the USA of US and Imported Parts, Meets Buy American requirements within the ARRA

MHT Plant Operations
 1961 Richmond Terrace
 Staten Island, NY 10302
 Ph: (718) 524-4370, Fx: (718) 524-4390

West Coast Operations
 2285 Michael Faraday Dr, Ste 15
 San Diego, CA 92154
 Ph: (619) 661-0600, Fx: (619) 661-0607