



Canopy Light Fixtures CL/RCL SERIES

Project: _____
 Part Number: _____
 Quantity: _____



APPLICATIONS

- Parking Garages
- Gas Stations
- Canopies
- Walkways

FEATURES

- 100,000 Hour Lifespan (IESNA)
- 10 Year or 60,000 Hour Warranty
- High Pressure Die-casted, Powder Coated Aluminum Housing
- Prismatic Acrylic Refractor/Lens
- Optional "Cone" (RCL) Style
- Surface Mounting
- Ambient Temp Range: -30 to 130 deg F



LAMP/GENERATOR

- 120-277V Universal Electronic Ballast
- Available 0-10V Dimmability, 2-way Communication
- Power Factor > 0.95, Operation Frequency 50-60Hz
- Instant-On, Flicker Free, Minimum Light Loss
- 40W—100W Round Tubular Lamp Design
- Color Temps Available: 3000K—5000K
- CRI > 85—Excellent Color Rendition



RCL "Cone" Style
Available in 55/80W

Product #	Wattage	Replaces	Lm/W	Lumens	IP Rating	Size	Lens
MHT-CL-40E	40	MH - 70W HPS - 100W	72.5	2,900	43	12"x12"	Polycarbonate
MHT-RCL/CL-55E	55	MH - 100W HPS - 100W	72.5	3,988	43	15" dia, 12"x12"	Polycarbonate
MHTCL-70E	70	MH - 120W HPS - 150W	72.5	5,075	43	12"x12"	Polycarbonate
MHT-RCL/CL-80E	80	MH - 150W HPS - 150W	77.5	6,200	43	15" dia, 12"x12"	Polycarbonate
MHT-CL-100E	100	MH - 200W HPS - 200W	77.5	7,750	43	12"x12"	Polycarbonate

* Other wattages available upon request

Available Options:

- Dimmable Ballast
- Occupancy Sensor (CL Series Only)
- Photocell



Canopy Light Fixtures CL/RCL SERIES

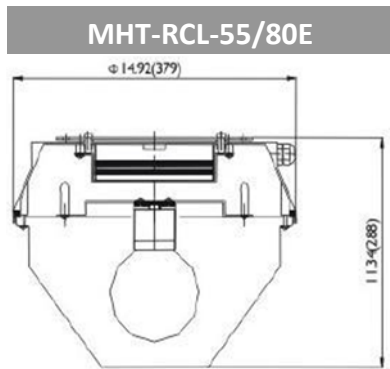
Project: _____
 Part Number: _____
 Quantity: _____

ORDERING CODES

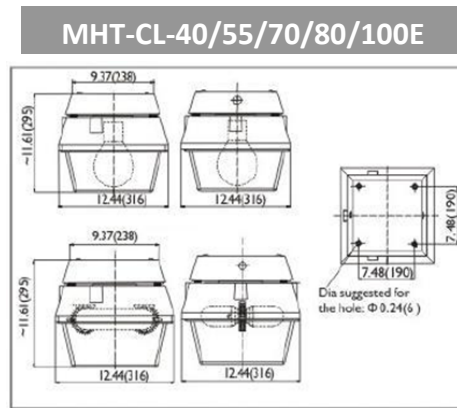
MHT-____ - _____ E - _____ - _____ - _____ - _____

CL = Square Canopy	Wattage: 40, 55, 70, 80, 100	Color Temp: 3K = 3000K 4K = 4000K 5K = 5000K	Voltage: U = Universal 3 = 347V	Dimmable Ballast: DB	Options: (please specify voltage) OSD = Occ Sensor w/ Step Dim OSI = Occ Sensor w/ Instant On PC = Photocell
RCL = Round Canopy					

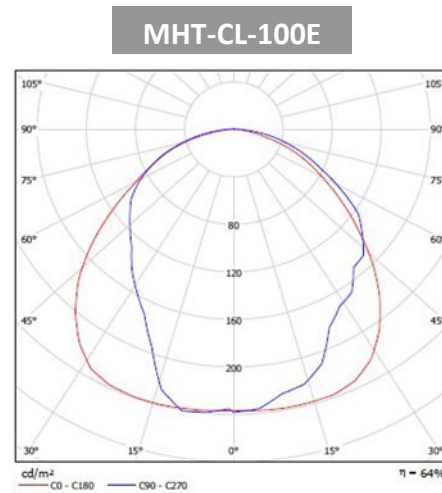
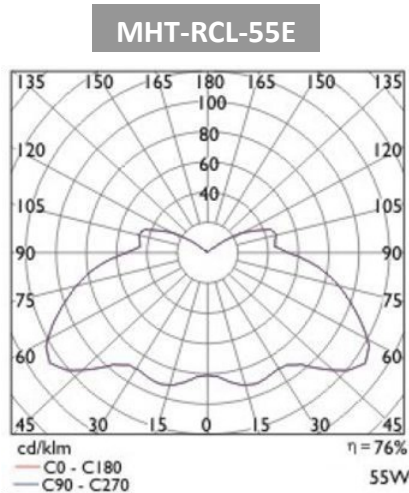
DIMENSIONS



Note: RCL Fixture uses Round Tubular Lamp Only



SAMPLE PHOTOMETRICS



- MHT Products are UL Listed/Labeled and Assembled in ISO9000/1 Certified US Facility
- Every product is quality tested and inspected prior to shipment
- MHT Lighting offers a 10-year, 60,000 hour Warranty (please see Warranty Terms and Conditions)
- Made in the USA of US and Imported Parts, Meets Buy American requirements within the ARRA

MHT Plant Operations
 1961 Richmond Terrace
 Staten Island, NY 10302
 Ph: (718) 524-4370, Fx: (718) 524-4390

West Coast Operations
 2285 Michael Faraday Dr, Ste 15
 San Diego, CA 92154
 Ph: (619) 661-0600, Fx: (619) 661-0607