



Aluminum High/Low Bay HBa/LBa SERIES

Project: _____
 Part Number: _____
 Quantity: _____



APPLICATIONS

- Warehouses
- Manufacturing
- Agriculture, Food Services
- Gymnasiums
- Convention Centers

FEATURES

- 100,000 Hour Lifespan (IESNA)
- 10 Year or 60,000 Hour Warranty
- High Pressure Die-casted, Powder Coated Aluminum Gear Box
- Smooth (LB) or Faceted (HB) Aluminum Reflector
- Prismatic Acrylic, Clear Polycarbonate or Tempered Glass Lens
- Hook or Pendant Installation
- Ambient Temp Range: -30 to 130 deg F

Made in the USA 
 of U.S. and imported parts



LAMP/GENERATOR

- 120-277V Universal Electronic Ballast
- Available 0-10V Dimmability, 2-way Communication
- Power Factor > 0.95, Operation Frequency 50-60Hz
- Instant-On, Flicker Free, Minimum Light Loss
- 80W—400W Round Tubular Lamp Design
- Color Temps Available: 3000K—5000K
- CRI > 85—Excellent Color Rendition



19" Low Bay



30" High Bay

Product #	Wattage	Replaces	Lm/W	Lumens	IP Rating	Size	Lens
MHT-LBa-80E	80	MH - 150W HPS - 150W	77.5	6,200	43 (gear box)	19"	Polycarbonate, Acrylic, Glass
MHT-LBa-100E	100	MH - 200W HPS - 200W	77.5	7,750	43 (gear box)	19"	Polycarbonate, Acrylic, Glass
MHT-LBa-120E	120	MH - 200W HPS - 200W	77.5	9,300	43 (gear box)	22"	Polycarbonate, Acrylic, Glass
MHT-LBa-150E	150	MH - 250W HPS - 300W	82.5	12,375	43 (gear box)	22"	Polycarbonate, Acrylic, Glass
MHT-HBa-150E	150	MH - 250W HPS - 300W	82.5	12,375	43 (gear box)	22"	Polycarbonate, Acrylic, Glass
MHT-HBa-200E	200	MH - 360W HPS - 400W	82.5	16,500	43 (gear box)	22"	Polycarbonate, Acrylic, Glass
MHT-HBa-250E	250	MH - 400W HPS - 500W	87.5	21,875	43 (gear box)	22"	Polycarbonate, Acrylic, Glass
MHT-HBa-300E	300	MH - 500W HPS - 600W	87.5	26,250	43 (gear box)	30"	Polycarbonate, Acrylic, Glass
MHT-HBa-400E	400	MH - 750W HPS - 1000W	87.5	35,000	43 (gear box)	30"	Polycarbonate, Acrylic, Glass

Available Options:

- Dimmable Ballast
- Wall Step Dimming Switch, Remote Control
- Cord+Plug, Wire Guard, Safety Cable



Aluminum High/Low Bay HBa/LBa SERIES

Project: _____
 Part Number: _____
 Quantity: _____

ORDERING CODES

MHT-____a - _____E - _____ - _____ - _____ - _____ - _____

HB = High Bay
LB = Low Bay

Wattage:
 80, 100, 120,
 150, 200, 250
 300, 400

Color Temp:
 3K = 3000K
 4K = 4000K
 5K = 5000K

Voltage:
 U = Univ
 3 = 347V

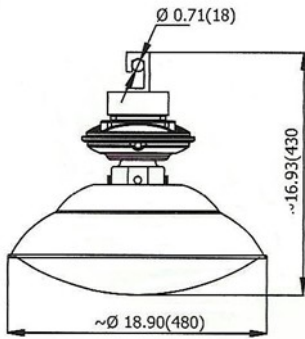
Lens:
 GL = Glass
 PC = Poly
 AC = Acryl

Dimmable
Ballast:
 DB

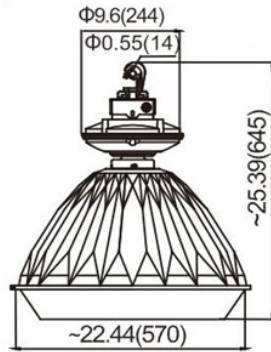
Options:
 WG = Wireguard, CP = Cord & Plug,
 SC = Safety Cable
 SW = Dim Switch, RC = Remote Control

DIMENSIONS

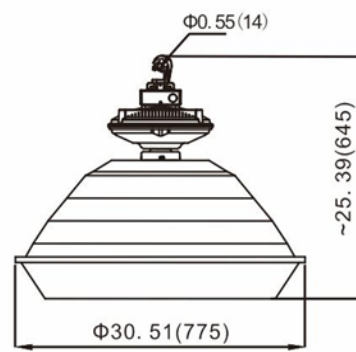
MHT-LBa-80/100/120/150E



MHT-HBa-150/200/250E

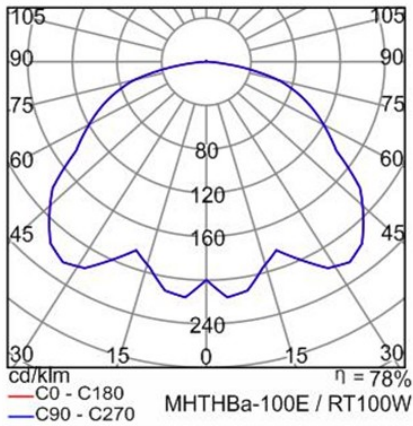


MHT-HBa-300/400E

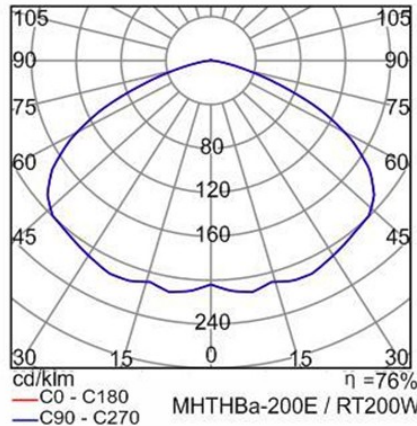


SAMPLE PHOTOMETRICS

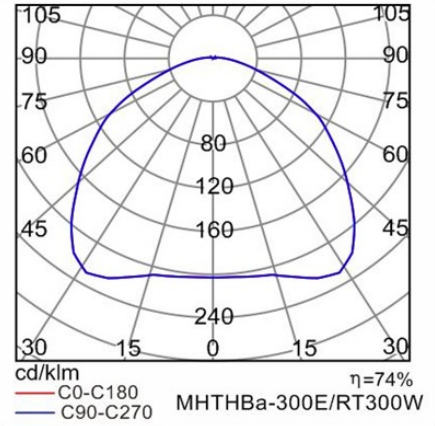
MHT-HBa-100E



MHT-HBa-200E



MHT-HBa-300E



- MHT Products are UL Listed/Labeled and Assembled in ISO9000/1 Certified US Facility
- Every product is quality tested and inspected prior to shipment
- MHT Lighting offers a 10-year, 60,000 hour Warranty (please see Warranty Terms and Conditions)
- Made in the USA of US and Imported Parts, Meets Buy American requirements within the ARRA

MHT Plant Operations
 1961 Richmond Terrace
 Staten Island, NY 10302
 Ph: (718) 524-4370, Fx: (718) 524-4390

West Coast Operations
 2285 Michael Faraday Dr, Ste 15
 San Diego, CA 92154
 Ph: (619) 661-0600, Fx: (619) 661-0607