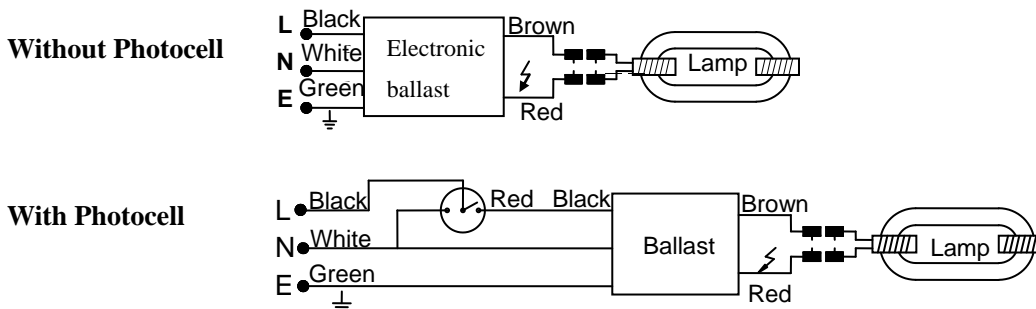


1. Main Data

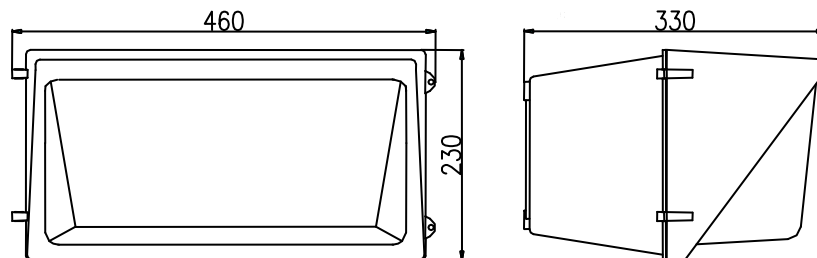
Model	Lamp Type	Supply Voltage (V)	Input Wattage (W)	Working Current (A)	Ballast Model	Power Factor (COSφ)	Net Weight (kg)
MHT-WP-40E	ST40W	120V~277V AC (-10%~+10%) 50/60Hz	42	0.35~0.16	MHTST-40-U	≥0.95	7.0
MHT-WP-55E	ST55W		58	0.49~0.21	MHTST-55-U		7.0
MHT-WP-70E	ST70W		74	0.62~0.27	MHTST-70-U		7.2
MHT-WP-80E	ST80W		84	0.70~0.32	MHTST-80-U		7.3
MHT-WP-100E	ST100W		105	0.93~0.40	MHTST-100		7.3

2. Circuit Diagram



3. Outline Dimensions

MHT-WP
(40W-100W)
Enclosure: IP54
Unit: mm



※It shall be installed on the wall vertically and the distance between the object to be lit and the fixture shall not be less than 1.0 m (3.28 ft).

Mounting Procedure:

Drill at least two holes at the bottom of the fixture. Expansion bolts shall be available on the wall. Open the casing and fasten the bottom with the bolt through the hole. The silicone sealing shall be applied to the bottom of the fixture and the wall.

4. Installation and Maintenance Instruction:

4.1 The efficient and reliable grounding is a must not only for the personal protection, but also for the proper use of electronic ballast to meet the national standard of EMC without interference to the equipment.

4.2 The Luminaire shall be installed in the area with good ventilation, no corrosive gas and no combustible and explosive objects.

4.3 The supply voltage is allowed to be varied at +10% to -10%. It will influence the normal start and operation of lamp and damage the electronic ballast if it is out of this range.



INSTALLATION INSTRUCTION

MHT-WP

4.4 The maintenance can be done only after the power is cut off and the lamp is cold down.

4.5 Cable with 3 cores is suggested for input power. It should be rated Maximum 105°C.

4.6 Is not allowed to disconnect the lamp with power on.

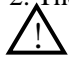
4.7 The product shall be installed and serviced by the competent and certified electrician.

4.8 The ambient temperature is allowed to be -20°C to +40°C.

Note:

1. The cover shall be replaced when it is cracked.

2. The above data is subject to change without notice.

 **Warning:** The Luminaire shall be grounded reliably to avoid accidental power leakage and electric shock.

Installation:

