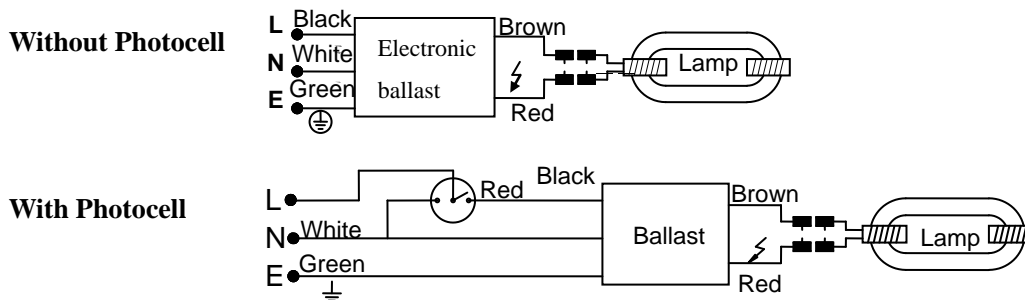




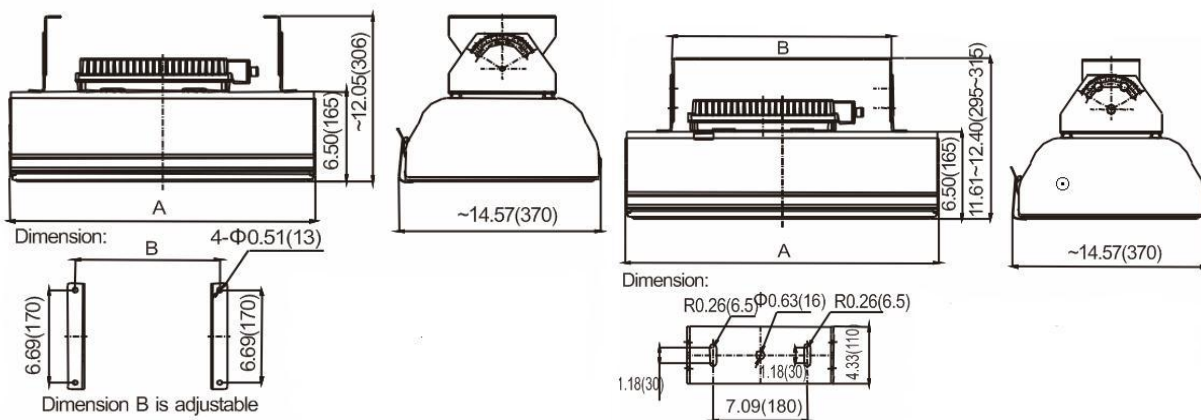
1. Main Data:

Fixture Model	Lamp Type	Supply Voltage (V)	Input Wattage (W)	Working Current (A)	Ballast Model	Power Factor (COS ϕ)	Net Weight (kg)
MHT-TL-70E	ST70W	120V~277V AC (-10%~+10%) 50/60Hz	74	0.62~0.27	MHTST-70-U-TL	≥0.95	8.7
MHT-TL-80E	ST80W		84	0.70~0.35	MHTTL-80-U-TL		8.8
MHT-TL-100E	ST100W		105	1.11~0.48	MHTST-100-U-TL		10.7
MHT-TL-150E	ST150W		156	1.76~0.80	MHTTL-150-U-TL		14.0
MHT-TL-200E	ST200W		210	2.19~1.05	MHTTL-200-U-TL		15.5
MHT-TL-250E	ST250W		263	2.19~1.05	MHTTL-250-U-TL		18.5
MHT-TL-300E	ST300W		315	2.63~1.20	MHTTL-300-U-TL		22.0
MHT-TL-400E	ST400W		420	3.50~1.52	MHTST-400-U-TL		23.0

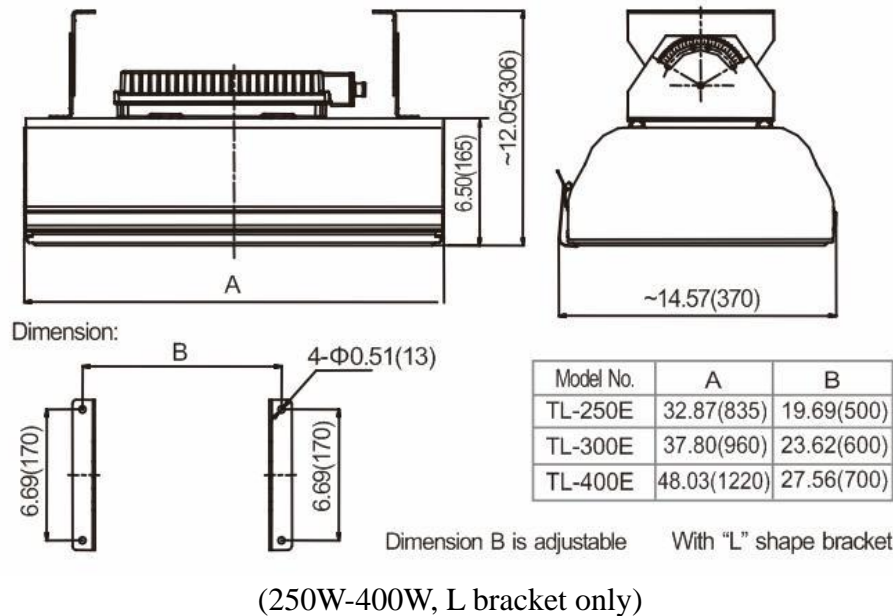
2. Circuit Diagram



3. Outline Dimensions (inch/mm)



L bracket and U bracket (70W-200W)



4. Installation and Maintenance Instruction:

- 4.1 The efficient and reliable grounding is a must not only for the personal protection, but also for the proper use of electronic ballast to meet the national standard of EMC without interference to the equipment.
- 4.2 The Luminaire shall be installed in the area with good ventilation, no corrosive gas and no combustible and explosive objects.
- 4.3 The supply voltage is allowed to be varied at +10% to -10%. It will influence the normal start and operation of lamp and damage the electronic ballast if it is outside of this range.
- 4.4 The maintenance can be done only after the power is cut off and the lamp is cold down.
- 4.5 The product shall be installed and serviced by the competent and certified electrician.
- 4.6 The wiring inside the Luminaire is tool-free and it is not allowed to disconnect the lamp with power on.
- 4.7 The input power cable shall be three-core type with minimum temperature rating of the insulation at 75 °C.
- 4.8 The ambient temperature is allowed to be -20°C to +40°C.
- 4.9 Do not operate the Luminaire when the cover is open.

Note:

1. The cover shall be replaced when it is cracked.
2. The above data is subject to change without notice.

⚠ Warning: The Luminaire shall be grounded reliably to avoid accidental power leakage and electric shock.

Installation:

1. Secure the Luminaire to the expansion bolts with nuts after fastening the bolts in the mounting point through mounting holes. (If you desire the dimension B in the table below, loose the hex bolts and adjust; secure them with nuts after completion)
2. Adjust the projection angle ($\pm 40^\circ$; Fig A) according to practical needs by unscrewing the hex bolts M6x20 and M8x20 in the bracket ; secure them with nuts after completion)
3. Ground with the extension cable wire connected to the electronic ballast.

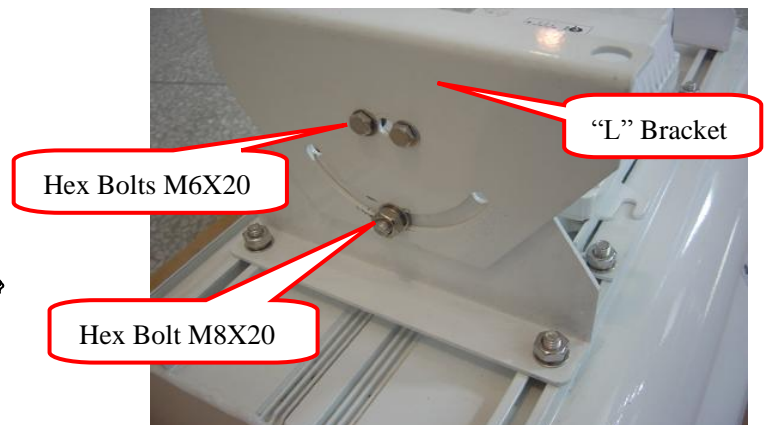
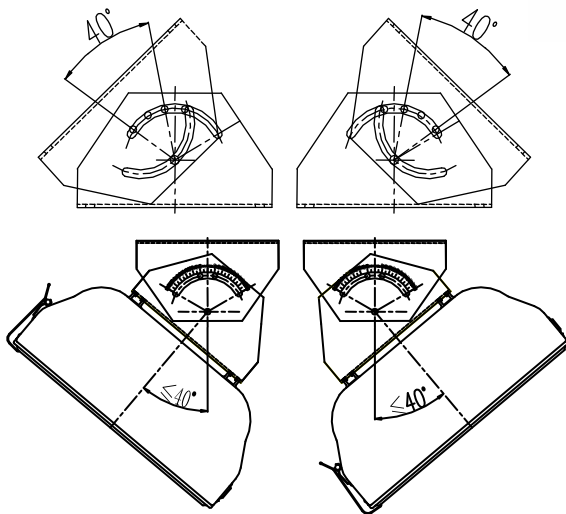
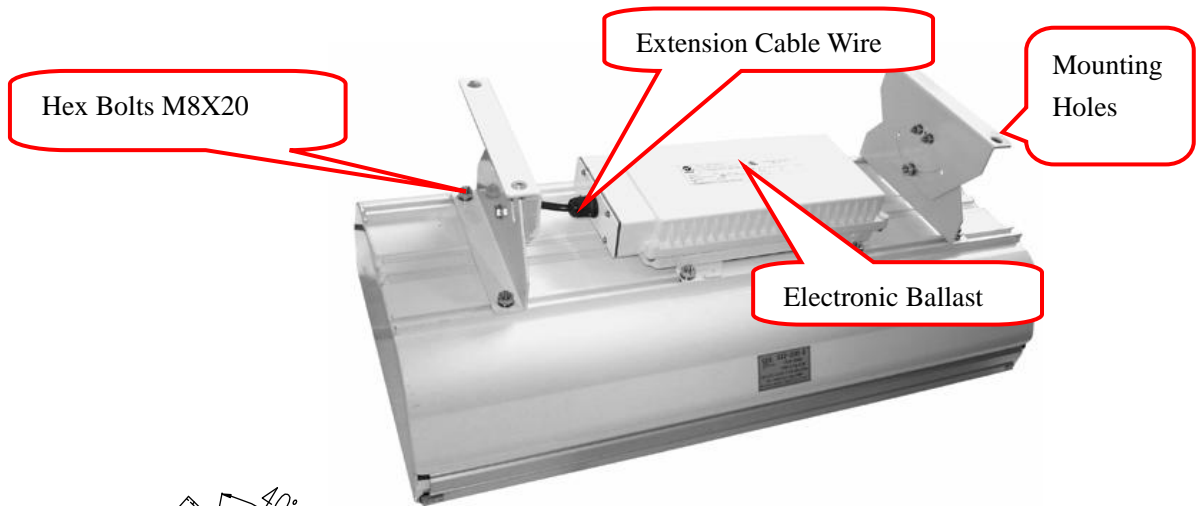
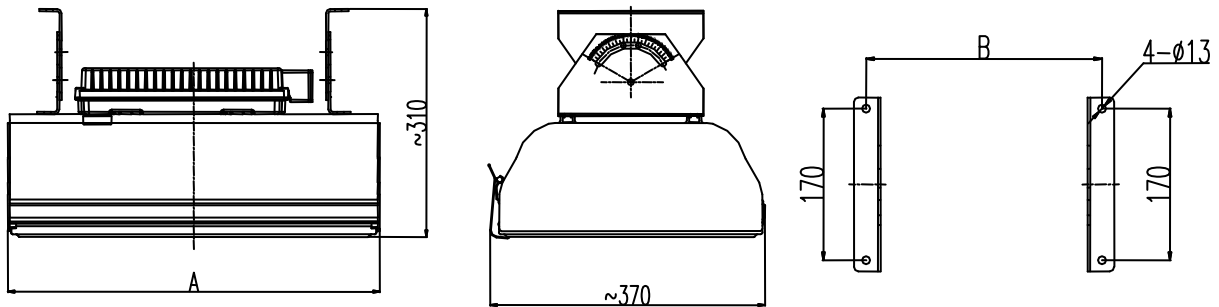


Fig. A