



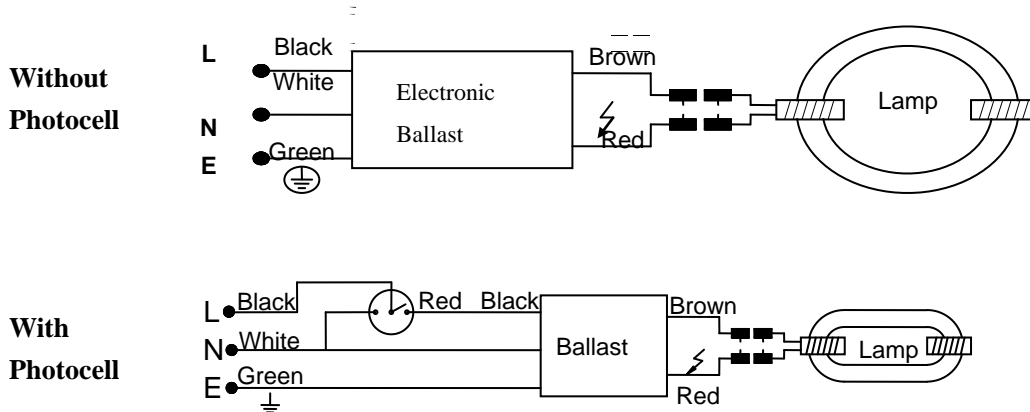
INSTALLATION INSTRUCTION

MHT-SB

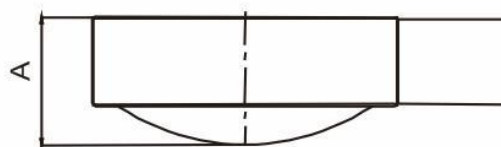
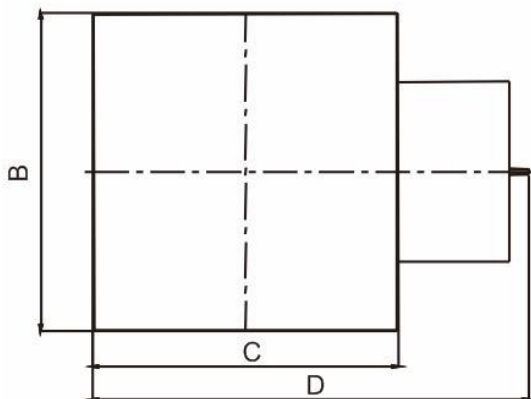
1. Main Data

Fixture Model	Lamp Type	Supply Voltage (V)	Input Wattage (W)	Working Current (A)	Ballast Model	Power Factor (COS ϕ)	Net Weight (kg)
MHT-SB-100E	RT100W	120V~277V AC (-10%~+10%) 50/60Hz	105	0.88~0.41	MHTST-100-U-RW	≥0.95	14.0
MHT-SB-150E	RT150W		156	1.36~0.59	MHTST-150-U-RW		14.3
MHT-SB-200E	RT200W		210	1.76~0.80	MHTST-200-U-RW		14.6
MHT-SB-250E	RT250W		263	2.19~1.05	MHTST-250-U-RW		15.6
MHT-SB-300E	RT300W		315	2.63~1.20	MHTST-300-U-RW		15.6

2. Circuit Diagram



3. Outline Dimensions (inch/mm)



Model No.	A	B	C	D
SB-200E	8.86(225)	21.57(548)	21.69(551)	31.30(795)
SB-250E	9.25(235)	22.76(578)	22.87(581)	32.48(825)
SB-300E	9.25(235)	22.76(578)	22.87(581)	32.48(825)
SBDL-200E	8.86(225)	21.57(548)	21.69(551)	31.30(795)
SBDL-250E	10.04(255)	22.76(578)	22.87(581)	32.48(825)
SBDL-300E	10.04(255)	22.76(578)	22.87(581)	32.48(825)

4. Installation and Maintenance Instruction

4.1 The efficient and reliable grounding is a must not only for the personal protection, but also for the proper use of electronic ballast to meet the national standard of EMC without interference to the equipment.

4.2 The supply voltage is allowed to be varied at +10% to -10%. It will influence the normal start and operation of lamp and damage the electronic ballast if it is outside of this range.

4.3 The maintenance can be done only after the power is cut off and the lamp is cold down, to avoid accidental scald and electric shock.

4.4 The input power cable shall be three-core type with minimum temperature rating of the insulation at 75 °C.

4.5 The product shall be installed and serviced by the competent and certified electrician.


4.6 The wiring inside the Luminaire is tool-free and it is not allowed to disconnect the lamp with power on.

4.7 The ambient temperature is allowed to be -20°C to +40°C.

4.8 The angle between Luminaire and horizontal plane is 0°~15°

Note:

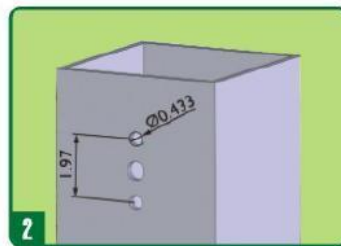
1. The cover shall be replaced when it is cracked.
2. The above data is subject to change without notice.

 **Warning:** The Luminaire shall be grounded reliably to avoid accidental power leakage and electric shock.

Installation Instruction



1 Remove the cover of lighting pole



2 Drill holes of above dimensions on the pole



3 Put wire leads of lighting fixture through the wire outlet hole of lighting pole.



4 Align the screws of lighting fixture with mounting hole of lighting pole and fasten them with stainless steel flat washer, spring washer and nut in place tightly.



5 Connect all wire leads as per wiring diagram.



6 Put the cover back at the top of the pole.

Note: The size of screws for lighting fixture is 3/8-16UNC and the space between screws is 1.97inch.