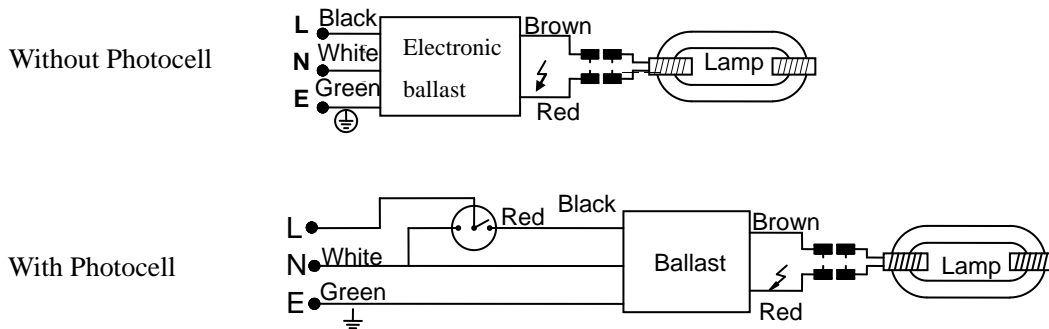


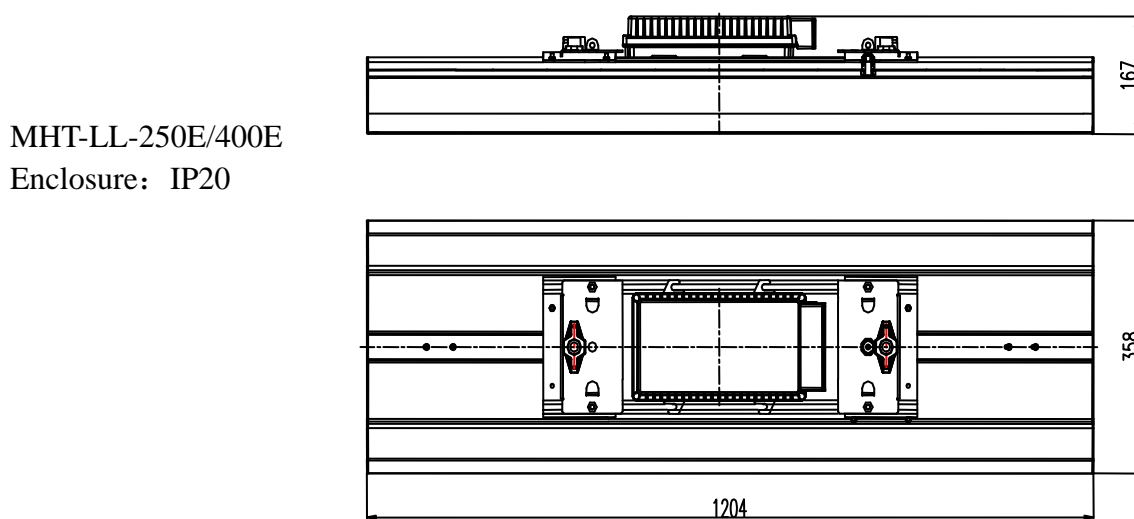
**1. Main Data**

Fixture Type	Lamp Type	Supply Voltage (V)	Input Output (W)	Working Current (A)	Ballast Type	Power Factor (COSφ)	Net Weight (kg)
MHT-LL-250E	ST250W	120V~277V AC (-10%~+10%) 50/60Hz	263	2.19~1.05	MHTST-250-U-TL	≥0.95	11.0
MHT-LL-400E	ST400W	120V~277V AC (-10%~+10%) 50/60Hz	420	3.50~1.52	MHTST-400-U-TL	≥0.95	12.5

**2. Circuit Diagram**



**3. Outline Dimensions (mm)**



Mounting: Pipes, Chains, "L" Brackets



### 4. Installation and Maintenance Instruction:

- 4.1 The efficient and reliable grounding is a must not only for the personal protection, but also for the proper use of electronic ballast to meet the national standard of EMC without interference to the equipment.
- 4.2 The Luminaire shall be installed in the indoor area with good ventilation, no corrosive gas and no combustible and explosive objects.
- 4.3 The supply voltage is allowed to be varied at +10% to -10%. It will influence the normal start and operation of lamp and damage the electronic ballast if it is outside of this range.
- 4.4 The maintenance can be done only after the power is cut off and the lamp is cold down.
- 4.5 The product shall be installed and serviced by the competent and certified electrician.
- 4.6 It is not allowed to disconnect the lamp with power on.
- 4.7 The ambient temperature is allowed to be 0°C to +40°C.



Installation with pipes



Installation with chains

#### Note:

The above data is subject to change without notice.



**Warning:** The Luminaire shall be grounded reliably to avoid accidental power leakage and electric shock.