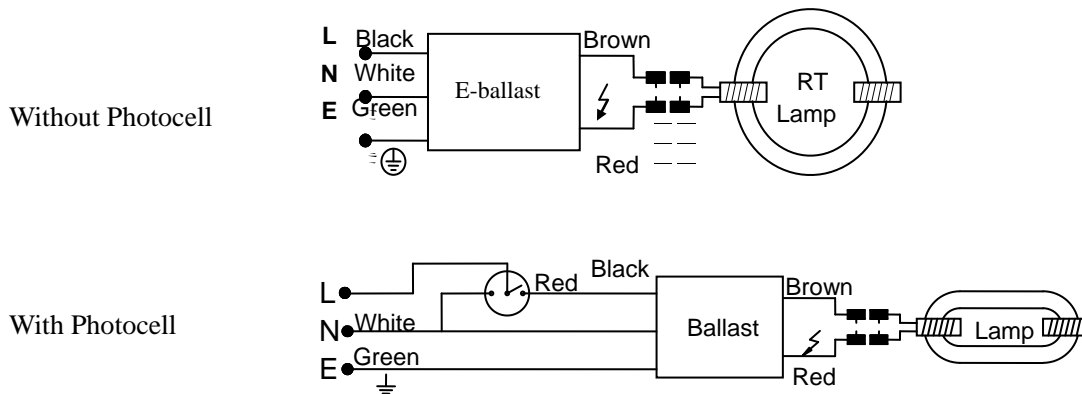


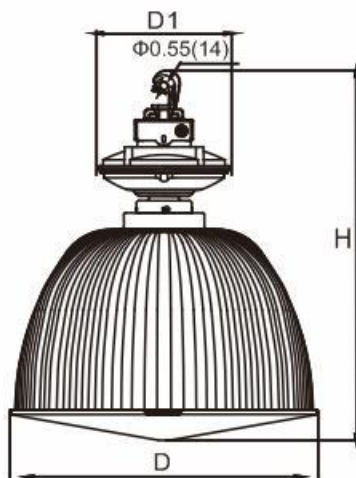
1. Main Data

Fixture Model	Lamp Type	Supply Voltage (V)	Input Wattage (W)	Working Current (A)	Ballast Model	Power Factor (COS ϕ)	Net Weight (kg)
MHT-LB-80E	RT80W	120V~277V AC (-10%~+10%) 50/60Hz	84	0.41~0.37	MHTST-80	≥0.95	7.2
MHT-LB-100E	RT100W		105	0.51~0.47	MHTST-100		7.2
MHT-HB-150E	RT150W		158	0.77~0.71	MHTST-150		7.7
MHT-HB-200E	RT200W		210	1.02~0.93	MHTST-200		8.0
MHT-HB-250E	RT250W		263	1.27~1.16	MHTST-250		8.5

2. Circuit Diagram



3. Outline Dimensions (inch/mm)



Model No.	D	DI	H	Note
MHT-LB-80E	16.14 (410)	8.07 (205)	23.62 (600)	16" Hood
MHT-LB-100E	16.14 (410)	8.07 (205)	23.62 (600)	16" Hood
MHT-HB-150E	22.44 (570)	9.61 (244)	27.24 (692)	22" Hood
MHT-HB-200E	22.44 (570)	9.61 (244)	27.24 (692)	22" Hood
MHT-HB-250E	22.44 (570)	11.02 (280)	27.72 (704)	22" Hood


※**Mounting:** Hanging.

Minimum distance of 1.0m (3.28ft) should be maintained between the fixture and the objects.

4. Installation and Maintenance Instruction

- 4.1 The efficient and reliable grounding is a must not only for the personal protection, but also for the proper use of electronic ballast to meet the national standard of EMC without interference to the equipment.
- 4.2 The Luminaire shall be installed in the indoor area with good ventilation, no corrosive gas and no combustible and explosive objects.
- 4.3 The supply voltage is allowed to be varied at +20% to -18%. It will influence the normal start and operation of lamp and damage the electronic ballast if it is outside of this range.
- 4.4 The maintenance can be done only after the power is cut off and the lamp is cold down.
- 4.5 The product shall be installed and serviced by the competent and certified electrician.
- 4.6 The proposed lighting installation height $\leq 10\text{m}$ (32.8ft).
- 4.7 The wiring inside the Luminaire is tool-free and it is not allowed to disconnect the lamp with power on.
- 4.8 The ambient temperature is allowed to be -20°C to $+40^{\circ}\text{C}$.
- 4.9 Operation with the PC hood open is forbidden.

- Note:**
1. The cover shall be replaced when it is cracked
 2. The above data is subject to change without notice

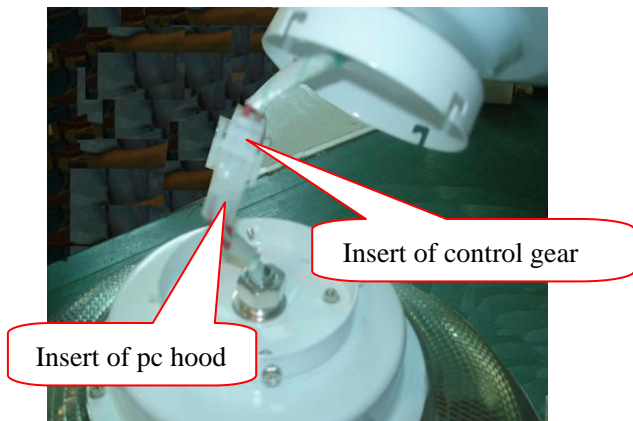
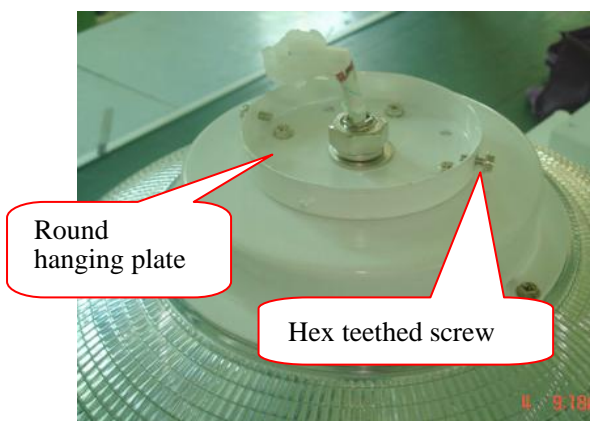
 **Warning:** The Luminaire shall be grounded reliably to avoid accidental power leakage and electric shock.

Installation:

1. Check if the fasteners in the gear box and hood are tight.
2. Remove the PC cover from the packing box and take away the packing foam or Bubble. Align the PC cover with the hood. Put the steel ring around the hood and cover and connect it with the spring, grooved screws and nut.



- Loosen the two cross grooved hex teathed screws from the round hanging plate in the PC hood and connect the inserts of both PC hood and control gear firmly. **(Check two inserts are connected and pins inside are not pushed out)**



- Align the four grooves in round transitional connector into positioned screws in round hanging plate and rotate control gear (Ballast) and fix them firmly by cross grooved hex teathed screws.

