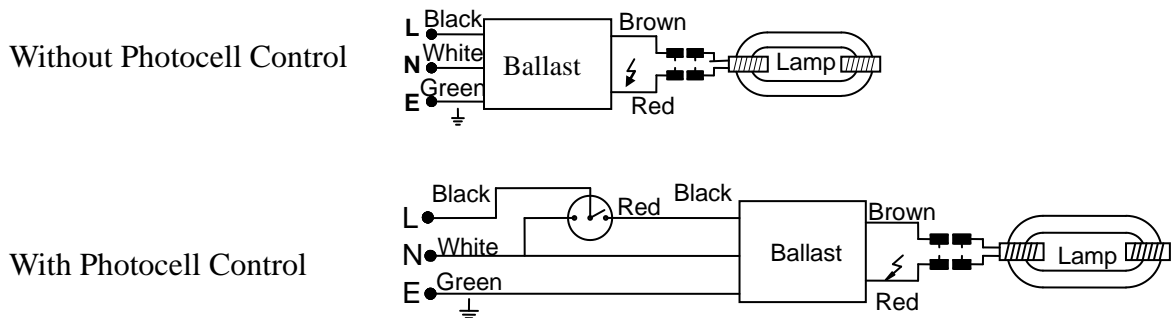


1. Main Data

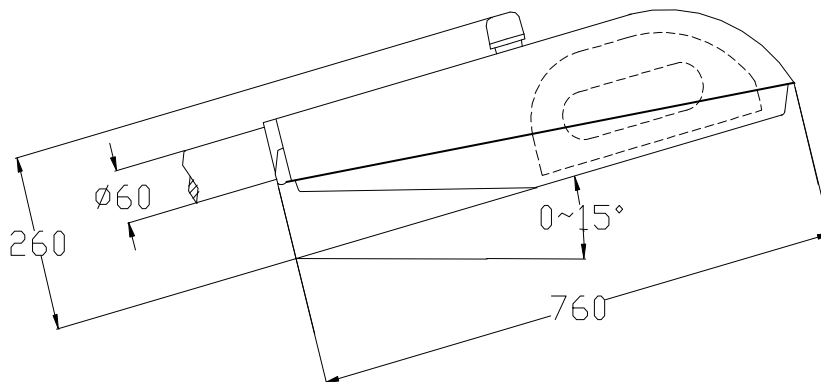
Fixture Model	Lamp Type	Supply Voltage (V)	Input Wattage (W)	Working Current (A)	Ballast Model	Power Factor (COS ϕ)	Net Weight (kg)
MHT-CH-40E	RT40W	120V~277V AC (-10%~+10%) 50/60Hz	42	0.38~0.16	MHTST-40-U	≥ 0.95	5.6
MHT-CH-55E	RT55W		58	0.49~0.21	MHTST-55-U		5.7
MHT-CH-70E	RT70W		74	0.62~0.27	MHTST-70-U		5.9
MHT-CH-80E	RT80W		84	0.75~0.32	MHTST-80-U		6.1
MHT-CH-100E	RT100W		105	0.88~0.41	MHTST-100		6.2

2. Circuit Diagram



3. Outline Dimensions

- Height of installation: 6~8m (20~26ft)
- Angle of installation: up 0~15°
- Max projection area subjected to wind: 0.20 m²
- Torque to be applied on the bolts of mounting bracket: 13~15 N M
- O.D. of Pole: 60mm (~2.36 inches)




4. Installation and Maintenance Instruction:

- 4.1 The efficient and reliable grounding is a must not only for the personal protection, but also for the proper use of electronic ballast to meet the national standard of EMC without interference to the equipment.
- 4.2 The supply voltage is allowed to be varied at +10% to -10%. It will influence the normal start and operation of lamp and damage the electronic ballast if it is outside of this range.
- 4.3 The maintenance can be done only after the power is cut off and the lamp is cold down.
- 4.4 The product shall be installed and serviced by the competent and certified electrician.
- 4.5 The wiring inside the Luminaire is tool-free and it is not allowed to disconnect the lamp with power on.
- 4.6 The ambient temperature is allowed to be -20°C to +40°C.
- 4.7 The angle of the installed fixture shall be from 0 to 15 °.
- 4.8 Do not operate the Luminaire when the lens is open.

Note:

- 1. The cover shall be replaced when it is cracked.
- 2. The above data is subject to change without notice.

 **Warning:** The Luminaire shall be grounded reliably to avoid accidental power leakage and electric shock.

Installation Instruction



1
Unscrew the hex bolt M10×35. Fasten the fixture with the pole and tighten the bolt



2
Loosen the steel clip



3
Open the fixture



4
Pull the customer's cable through the grommet and wire press. Connect it to the terminal correctly.



5
Close the fixture with the steel clip



6
Adjust the angle of the fixture and fasten the hex bolt M10×35 with torque at 13~15 N·M. correctly.